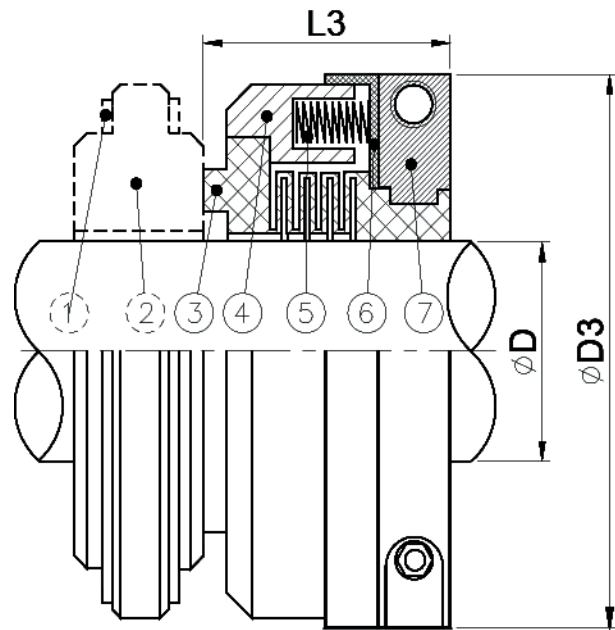


TYPE NES-10T (Inch)

Equivalent to John Crane 10T



- 1 Gasket
- 2 Stationary Face
- 3 Rotary Face
- 4 Retainer
- 5 Spring
- 6 Thrust Ring
- 7 Diver Collar

Features:

External mounting seal with multi spring and flexible PTFE bellow. They can be used with extremely corrosive chemical compound.

Operating Conditions:

Pressure: Up to 10kg/cm² (140 PSI)

Temperature: -40°C ~230°C

Speed: Up to 16m/s

Materials:

Rotary Face: PTFE.

Stationary Face: Ceramic, SiC, SiSiC,

Elastomer: PTFE

Spring: 316SS, Has C

All Metal Parts: 304SS, 316SS.

All trademarks are the property of their respective owners.

D	D3	L3
0.750	2.126	1.220
0.875	2.244	1.220
1.000	2.402	1.299
1.125	2.638	1.417
1.250	2.756	1.457
1.375	2.874	1.496
1.500	2.992	1.496
1.625	3.150	1.575
1.750	3.268	1.575
1.875	3.386	1.693
2.000	3.504	1.693
2.125	4.055	2.087
2.250	4.213	2.087
2.375	4.331	2.087
2.500	4.449	2.087
2.625	4.567	2.087
2.750	4.646	2.087
2.875	4.803	2.087
3.000	4.961	2.087
3.250	5.906	2.874
3.500	6.142	2.874
3.750	6.417	2.874
4.000	6.654	2.874

Seat Compatibility:

Standard: W

Alternative: A4, A6