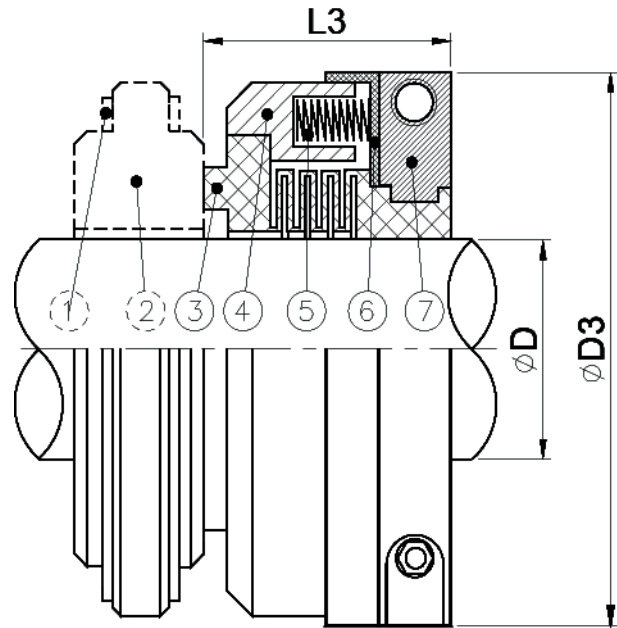


TYPE NES-10T

Equivalent to John Crane 10T



- 1 Gasket
- 2 Stationary Face
- 3 Rotary Face
- 4 Retainer
- 5 Spring
- 6 Thrust Ring
- 7 Diver Collar

Features:

External mounting seal with multi spring and flexible PTFE bellow. They can be used with extremely corrosive chemical compound.

Operating Conditions:

Pressure: Up to 10kg/cm² (140 PSI)
 Temperature: -40°C ~230°C
 Speed: Up to 16m/s

Materials:

Rotary Face: PTFE.
 Stationary Face: Ceramic, SiC, SSiC,
 Elastomer: PTFE
 Spring: 316SS, Has C
 All Metal Parts: 304SS, 316SS.

All trademarks are the property of their respective owners.

Seat Compatibility:

Standard: W
 Alternative: A4, A6

D	D3	L3
25	61	33
28	67	36
30	70	37
32	70	37
33	73	38
35	73	38
38	76	38
40	80	40
43	83	40
45	83	40
48	89	43
50	89	43
53	103	53
55	107	53
58	110	53
60	110	53
63	113	53
65	116	53
68	118	53
70	118	53
75	126	53
80	150	73
85	156	73
90	163	73
95	163	73
100	169	73