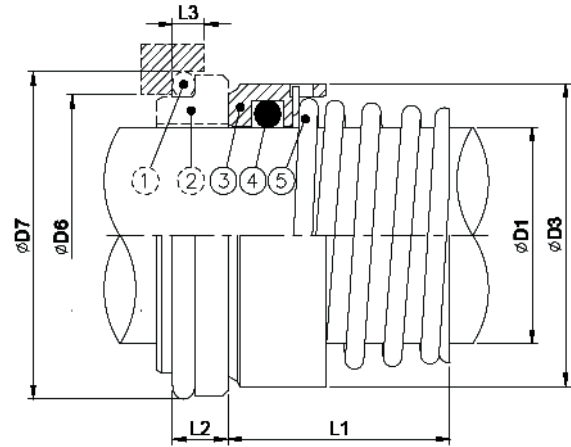


TYPE NES-12(DIN)

Equivalent to AES T03D



- 1 O-Ring
- 2 Stationary Face
- 3 Rotary Face
- 4 O-Ring
- 5 Spring

Features:

A simple, reliable single spring seal. Widely used in water pumps, sewage pumps, submerged pumps and chemical pumps.

Operating Conditions:

Pressure: Up to 10kg/cm² (140 PSI)

Temperature: -20°C ~200°C

Speed: Up to 15m/s

Materials:

Rotary Face: Carbon, SiC, SSiC, TC.

Stationary Face: Carbon, Ceramic, SiC, TC.

Elastomer: NBR, EPDM, Viton<.

Spring: 304SS, 316SS,

All Metal Parts: 304SS, 316SS.

All trademarks are the property of their respective owners.

D1	D3	D6	D7	L1	L2	L3
10	19.0	17	21	15	7	4
12	21.0	19	23	18	7	4
14	23.0	21	25	22	7	4
16	26.0	23	27	23	7	4
18	29.0	27	33	24	10	5
20	31.0	29	35	25	10	5
22	33.0	31	37	25	10	5
24	35.0	33	39	27	10	5
25	36.0	34	40	27	10	5
28	40.0	37	43	29	10	5
30	43.0	39	45	30	10	5
32	46.0	42	48	30	10	5
33	46.0	42	48	39	10	5
35	49.0	44	50	39	10	5
38	53.0	49	56	42	13	6
40	56.0	51	58	42	13	6
43	59.0	54	61	47	13	6
45	61.0	56	63	47	13	6
48	64.0	59	66	47	13	6
50	66.0	62	70	46	14	6
53	69.0	65	73	56	14	6
55	71.0	67	75	56	14	6
58	76.0	70	78	56	14	6
60	78.0	72	80	56	14	6
63	81.0	75	83	56	14	6
65	84.0	77	85	66	14	6
68	87.0	81	90	64	16	7
70	89.0	83	92	64	16	7
75	98.0	88	97	64	16	7
80	100.0	95	105	72	18	7
85	107.5	100	110	72	18	7
90	111.0	105	115	72	18	7
95	119.0	110	120	72	18	7
100	123.8	115	125	72	18	7