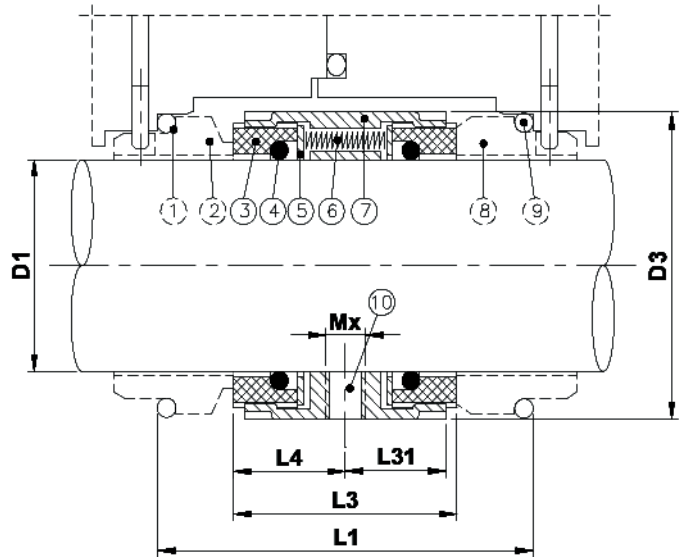


TYPE NES-20U

Equivalent to Burgmann M74D



- 1 O-Ring
- 2 Stationary Face
- 3 Rotary Face
- 4 O-Ring
- 5 Disc
- 6 Spring
- 7 Retainer
- 8 Stationary Face
- 9 O-Ring
- 10 Drive Screw

Features:

A unbalanced double seal. Widely used in water pumps, sewage pumps, submerged pumps and chemical pumps.

Operating Conditions:

Pressure: Up to 16kg/cm² (225 PSI)
 Temperature: -20°C ~200°C
 Speed: Up to 20m/s

Materials:

Rotary Face: Carbon, SiC, SiSiC, TC.
 Stationary Face: SiC, SiSiC, TC.
 Elastomer: NBR, EPDM, Viton®.
 Spring: 304SS, 316SS, Has C
 All Metal Parts: 304SS, 316SS.

All trademarks are the property of their respective owners.

Seat Compatibility:

Standard: A
 Alternative: B, H, I

D1	D3	L1	L3	L4	L31	Mx
18	33	61	38.0	19.0	17.0	M5
20	35	61	38.0	19.0	17.0	M5
22	37	61	38.0	19.0	17.0	M5
24	39	61	38.0	19.0	17.0	M5
25	40	61	38.0	19.0	17.0	M5
28	43	62	39.0	19.5	17.5	M6
30	45	62	39.0	19.5	17.5	M6
32	47	62	39.0	19.5	17.5	M6
33	48	62	39.0	19.5	17.5	M6
35	50	62	39.0	19.5	17.5	M6
38	55	69	41.0	20.5	18.5	M6
40	57	70	42.0	21.0	19.0	M6
43	60	70	42.0	21.0	19.0	M6
45	62	70	42.0	21.0	19.0	M6
48	65	70	42.0	21.0	19.0	M6
50	67	73	43.0	21.5	19.5	M6
53	70	73	43.0	21.5	19.5	M6
55	72	73	43.0	21.5	19.5	M8
58	79	86	56.0	28.0	23.5	M8
60	81	86	56.0	28.0	23.5	M8
63	84	85	55.0	27.5	24.5	M8
65	86	85	55.0	27.5	24.5	M8
68	89	91	55.0	27.5	24.5	M8
70	91	92	56.0	28.0	23.5	M8
75	99	92	56.0	28.0	25.5	M8
80	104	92.5	56.0	28.0	25.5	M8
85	109	92.5	56.0	28.0	25.0	M8
90	114	92.5	56.0	28.0	25.5	M8
95	119	90.5	56.0	28.0	25.0	M8
100	124	90.5	56.0	28.0	25.0	M8