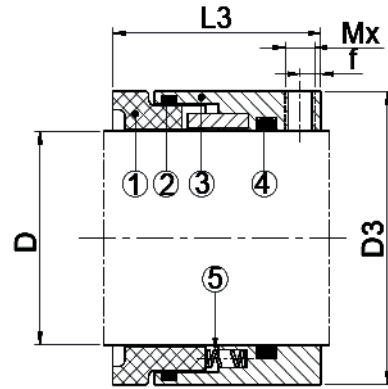


# TYPE NES-26 (Inch)



- 1 Rotary Face
- 2 O-Ring
- 3 Retainer
- 4 O-Ring
- 5 Spring

## Features:

A simple, reliable balanced single spring seal. Widely used in water pumps, sewage pumps, submerged pumps and chemical pumps.

## Operating Conditions:

Pressure: Up to 14kg/cm<sup>2</sup> (200 PSI)  
 Temperature: -20°C ~200°C  
 Speed: Up to 20m/s

## Material:

Face: Carbon, SiC, SSiC.  
 Seat: Ceramic, SiC, SSiC.  
 O-Ring: EPDM, Viton®, FEP.  
 All Metal Parts: 304SS, 316SS.

All trademarks are the property of their respective owners.

## Seat Compatibility:

Standard: A6.  
 Alternatives: B, F, T.

Size	D3	L3	M	f
0.750	34	32	M4	3.0
0.875	36	32	M4	3.0
1.000	39	32	M4	3.0
1.125	43	32	M5	3.5
1.250	46	32	M5	3.5
1.375	49	32	M5	3.5
1.500	54	32	M5	3.5
1.625	57	32	M5	3.5
1.750	60	42	M5	3.5
1.875	64	42	M5	3.5
2.000	67	42	M5	4.0
2.125	70	42	M5	4.0
2.250	73	42	M5	4.0
2.375	76	42	M5	4.0
2.500	79	42	M5	4.0
2.625	83	42	M6	4.5
2.750	92	42	M6	4.5
2.875	95	42	M6	4.5
3.000	98	42	M6	4.5
3.125	101	42	M6	4.5
3.250	104	42	M6	4.5
3.375	107	42	M6	4.5
3.500	111	42	M6	4.5
3.625	114	42	M6	5.0
3.750	117	48	M8	5.5
3.875	120	48	M8	5.5
4.000	123	48	M8	5.5