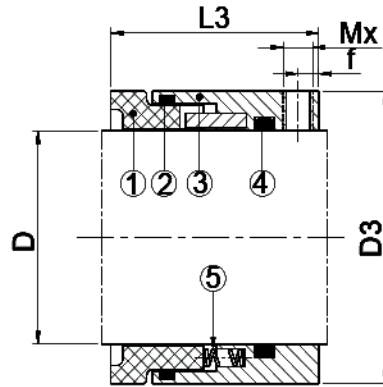


TYPE NES-26



- 1 Rotary Face
- 2 O-Ring
- 3 Retainer
- 4 O-Ring
- 5 Spring

Features:

A simple, reliable balanced single spring seal. Widely used in water pumps, sewage pumps, submerged pumps and chemical pumps.

Operating Conditions:

Pressure: Up to 14kg/cm² (200 PSI)
 Temperature: -20°C ~200°C
 Speed: Up to 20m/s

Material:

Face: Carbon, SiC, SSiC.
 Seat: Ceramic, SiC, SSiC.
 O-Ring: EPDM, Viton®, FEP.
 Metal: 304SS, 316SS.

All trademarks are the property of their respective owners.

Seat Compatibility:

Size (D)	D3	L3	M	f
18	33	32	M4	3.0
20	35	32	M4	3.0
22	37	32	M4	3.0
24	39	32	M5	3.5
25	40	32	M5	3.5
28	43	32	M5	3.5
30	45	32	M5	3.5
32	47	42	M5	3.5
33	48	42	M5	3.5
35	50	42	M5	3.5
38	55	42	M5	4.0
40	57	42	M5	4.0
43	60	42	M5	4.0
45	62	42	M5	4.0
48	65	42	M5	4.0
50	67	42	M6	4.5
53	70	42	M6	4.5
55	72	42	M6	4.5
58	79	42	M6	4.5
60	81	42	M6	4.5
63	84	42	M6	4.5
65	86	42	M6	4.5
68	89	42	M6	4.5
70	91	42	M6	5.0
75	99	48	M8	5.5
80	104	48	M8	5.5
85	109	48	M8	5.5
90	114	48	M8	5.5
95	119	48	M8	5.5
100	124	48	M8	5.5

Standard: A6.

Alternatives: B, F, T.