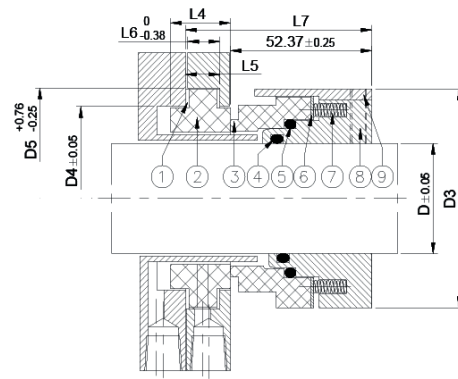


TYPE NES-28 (Inch)

Equivalent to John Crane 32



- | | | |
|-------------------|----------|-------------|
| 1 Gasket | 4 O-Ring | 7 Spring |
| 2 Stationary Face | 5 O-Ring | 8 Retainer |
| 3 Rotary Face | 6 Washer | 9 Stop Clip |

Features:

Outside Mounted Seal Designed. Specifically for top-entry agitator and mixer. Stationary sanitary glands are available on request.

Operating Conditions:

Pressure: Up to 15kg/cm² (215 PSI)
 Temperature: -20°C ~200°C
 Speed: Up to 2m/s

Material:

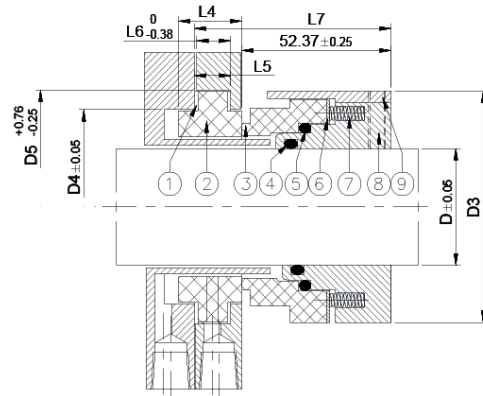
Rotary Face: Carbon, SiC, TC.
 Stationary Face: Ceramic, SiC, TC.
 O-Ring: NBR, EPDM, Viton®
 All Metal Parts: 304SS, 316SS.

All trademarks are the property of their respective owners.

Seat Compatibility:

Standard: A6.
 Alternative: A7, A4, W.

D	D3	D4	D5	L4	L5	L6	L7
5.500	7.000	7.000	7.656	1.000	0.625	0.593	2.875
5.625	7.125	7.125	7.781	1.000	0.625	0.593	2.875
5.750	7.250	7.250	7.906	1.000	0.625	0.593	2.875
5.875	7.375	7.375	8.031	1.000	0.625	0.593	2.875
6.000	7.500	7.500	8.156	1.000	0.625	0.593	2.875
6.125	7.625	7.625	8.281	1.000	0.625	0.593	2.875
6.250	7.750	7.750	8.406	1.000	0.625	0.593	2.875
6.375	7.875	7.875	8.531	1.000	0.625	0.593	2.875
6.500	8.000	8.000	8.656	1.000	0.625	0.593	2.875
6.625	8.125	8.125	8.781	1.000	0.625	0.593	2.875
6.750	8.250	8.250	8.906	1.000	0.625	0.593	2.875
6.875	8.375	8.375	9.031	1.000	0.625	0.593	2.875
7.000	8.500	8.500	9.156	1.000	0.625	0.593	2.875



D	D3	D4	D5	L4	L5	L6	L7
1.000	2.500	1.875	2.281	0.812	0.500	0.468	2.718
1.125	2.625	2.000	2.406	0.812	0.500	0.468	2.718
1.250	2.750	2.125	2.656	0.875	0.500	0.468	2.750
1.375	2.875	2.250	2.781	0.875	0.500	0.468	2.750
1.500	3.000	2.500	3.031	0.875	0.500	0.468	2.750
1.625	3.125	2.625	3.156	0.875	0.500	0.468	2.750
1.750	3.250	2.750	3.281	0.875	0.500	0.468	2.750
1.875	3.375	2.875	3.531	1.000	0.625	0.593	2.875
2.000	3.500	3.125	3.781	1.000	0.625	0.593	2.875
2.125	3.625	3.250	3.906	1.000	0.625	0.593	2.875
2.250	3.750	3.375	4.031	1.000	0.625	0.593	2.875
2.375	3.875	3.500	4.156	1.000	0.625	0.593	2.875
2.500	4.000	3.625	4.281	1.000	0.625	0.593	2.875
2.625	4.125	3.750	4.406	1.000	0.625	0.593	2.875
2.750	4.250	3.875	4.531	1.000	0.625	0.593	2.875
2.875	4.375	4.000	4.656	1.000	0.625	0.593	2.875
3.000	4.500	4.062	4.718	1.000	0.625	0.593	2.875
3.125	4.625	4.250	4.906	1.000	0.625	0.593	2.875
3.250	4.750	4.375	5.031	1.000	0.625	0.593	2.875
3.375	4.875	4.500	5.156	1.000	0.625	0.593	2.875
3.500	5.000	4.625	5.281	1.000	0.625	0.593	2.875
3.625	5.125	4.750	5.406	1.000	0.625	0.593	2.875
3.750	5.250	4.875	5.531	1.000	0.625	0.593	2.875
3.875	5.375	5.000	5.656	1.000	0.625	0.593	2.875
4.000	5.500	5.250	5.906	1.000	0.625	0.593	2.875
4.125	5.625	5.375	6.031	1.000	0.625	0.593	2.875
4.250	5.750	5.500	6.156	1.000	0.625	0.593	2.875
4.375	5.875	5.625	6.281	1.000	0.625	0.593	2.875
4.500	6.000	5.750	6.406	1.000	0.625	0.593	2.875
4.625	6.125	5.875	6.531	1.000	0.625	0.593	2.875
4.750	6.250	6.000	6.656	1.000	0.625	0.593	2.875
4.875	6.375	6.125	6.781	1.000	0.625	0.593	2.875
5.000	6.500	6.250	6.906	1.000	0.625	0.593	2.875
5.125	6.625	6.625	7.281	1.000	0.625	0.593	2.875
5.250	6.750	6.750	7.406	1.000	0.625	0.593	2.875
5.375	6.875	6.875	7.531	1.000	0.625	0.593	2.875