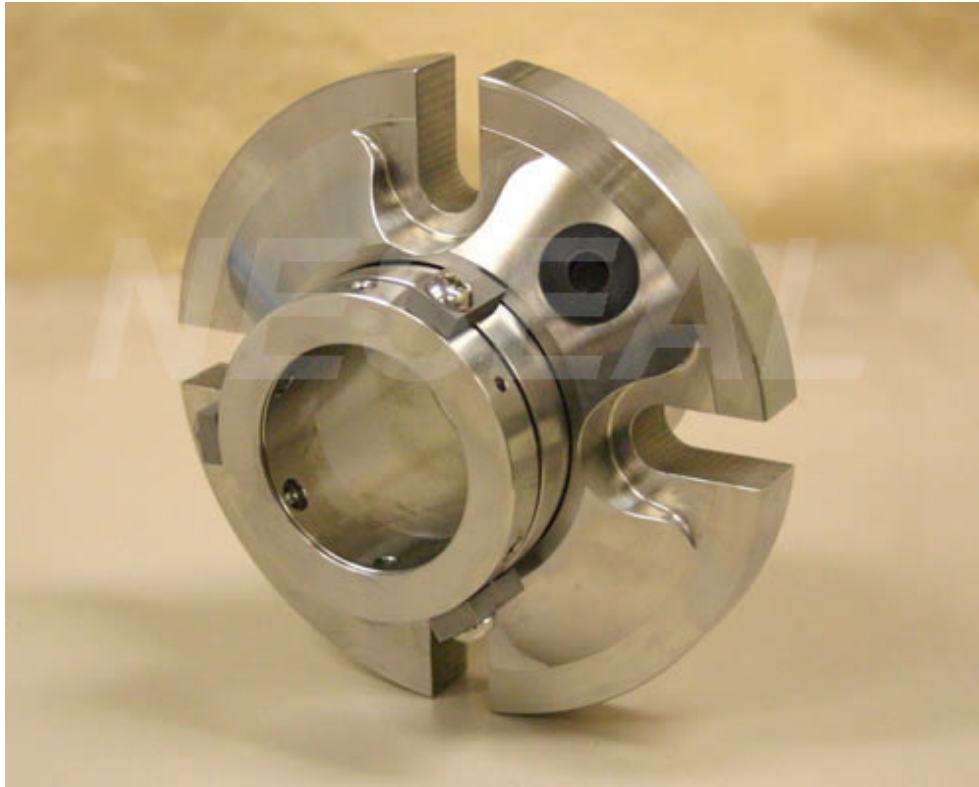


TYPE NES-31D (Inch)

Equivalent to AES CDSA



- | | | | |
|-------------------|-------------------|----------------------|--------------|
| 1 Sleeve | 6 O-Ring | 11 O-Ring | 16 O-Ring |
| 2 O-Ring | 7 Retainer | 12 Stopper | 17 Gland |
| 3 O-Ring | 8 O-Ring | 13 Spring | 18 Spring |
| 4 Rotary Face | 9 Stationary Face | 14 Pad | 19 O-Ring |
| 5 Stationary Face | 10 Rotary Face | 15 Stationary Holder | 20 Lock Ring |

Features:

Flush Connector: 1/4" N.P.T.

Operating Conditions:

Pressure: Up to 25kg/cm² (400 PSI)

Temperature: -40°C ~200°C

Speed: 16m/s

Material:

All Metal Parts: 316SS

Spring: 316SS, Hastelloy C

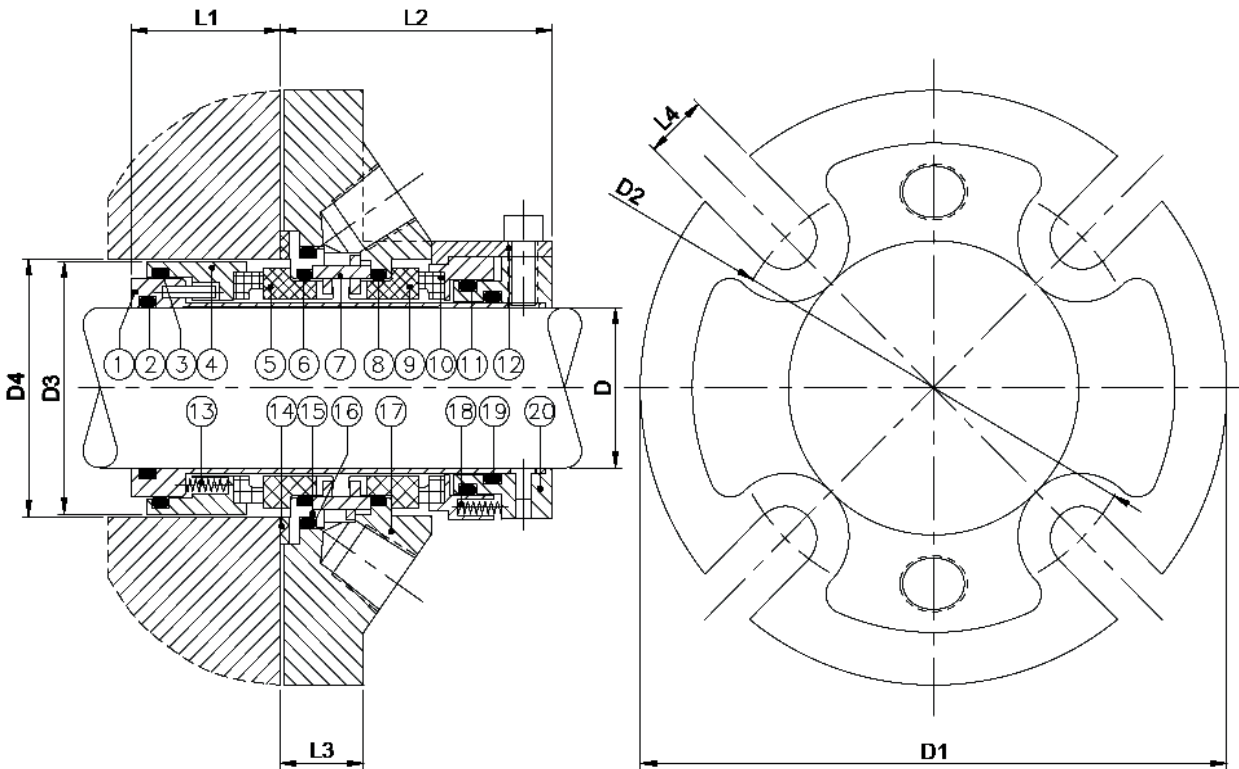
O-Ring: NBR, EPDM, Aflas®, Viton®

Rotary Face: Carbon, SiC, TC

Stationary Face: SiC, TC.

All trademarks are the property of their respective owners.

D	D1	D2	D3	D4	L1	L2	L3	L4
				min				
4.375	9.500	7.812	5.354	5.375	1.500	2.375	0.769	3/4
4.500	9.500	7.812	5.354	5.375	1.500	2.375	0.769	3/4
4.625	10.000	8.312	5.591	5.625	1.500	2.375	0.769	7/8
4.750	10.000	8.312	5.591	5.625	1.500	2.375	0.769	7/8
4.875	10.000	8.312	5.827	5.875	1.500	2.375	0.769	7/8
5.000	10.000	8.312	5.827	5.875	1.500	2.375	0.769	7/8



D	D1	D2	D3	D4	L1	L2	L3	L4
				min				
1.000	4.125	2.687	1.575	1.625	1.281	2.062	0.519	1/2
1.125	4.250	2.812	1.732	1.750	1.281	2.062	0.519	1/2
1.250	4.375	2.937	1.850	1.875	1.281	2.062	0.519	1/2
1.375	4.375	3.062	1.969	2.000	1.281	2.062	0.519	1/2
1.500	5.000	3.375	2.205	2.250	1.312	2.125	0.644	1/2
1.625	5.000	3.375	2.323	2.375	1.312	2.125	0.644	1/2
1.750	5.500	3.750	2.480	2.500	1.312	2.125	0.644	1/2
1.875	5.500	3.750	2.598	2.625	1.312	2.125	0.644	1/2
2.000	6.000	4.125	2.717	2.750	1.380	2.125	0.644	1/2
2.125	6.000	4.125	2.835	2.875	1.380	2.125	0.644	1/2
2.250	6.500	4.500	2.953	3.000	1.380	2.125	0.644	5/8
2.375	6.500	4.500	3.071	3.125	1.380	2.125	0.644	5/8
2.500	7.000	5.000	3.346	3.375	1.500	2.375	0.769	5/8
2.625	7.000	5.000	3.465	3.500	1.500	2.375	0.769	5/8
2.750	7.000	5.000	3.583	3.625	1.500	2.375	0.769	5/8
2.875	7.500	5.625	3.701	3.750	1.500	2.375	0.769	5/8
3.000	7.500	5.625	3.819	3.875	1.500	2.375	0.769	5/8
3.125	7.500	5.625	3.976	4.000	1.500	2.375	0.769	5/8
3.250	8.000	6.125	4.094	4.125	1.500	2.375	0.769	3/4
3.375	8.000	6.125	4.213	4.250	1.500	2.375	0.769	3/4
3.500	8.000	6.125	4.331	4.375	1.500	2.375	0.769	3/4
3.625	8.500	6.750	4.449	4.500	1.500	2.375	0.769	3/4
3.750	8.500	6.750	4.606	4.625	1.500	2.375	0.769	3/4
3.875	8.500	6.750	4.724	4.750	1.500	2.375	0.769	3/4
4.000	9.000	7.437	4.843	4.875	1.500	2.375	0.769	3/4
4.125	9.000	7.437	5.079	5.125	1.500	2.375	0.769	3/4
4.250	9.000	7.437	5.079	5.125	1.500	2.375	0.769	3/4