

TYPE NES-31D

Equivalent to AES CDSA



- | | | | |
|-------------------|-------------------|----------------------|--------------|
| 1 Sleeve | 6 O-Ring | 11 O-Ring | 16 O-Ring |
| 2 O-Ring | 7 Retainer | 12 Stopper | 17 Gland |
| 3 O-Ring | 8 O-Ring | 13 Spring | 18 Spring |
| 4 Rotary Face | 9 Stationary Face | 14 Pad | 19 O-Ring |
| 5 Stationary Face | 10 Rotary Face | 15 Stationary Holder | 20 Lock Ring |

Features:

Flush Connector: 1/4" N.P.T.

Operating Conditions:

Pressure: Up to 25kg/cm² (400 PSI)

Temperature: -40°C ~200°C

Speed: 16m/s

Material:

All Metal Parts: 316SS

Spring: 316SS, Hastelloy C

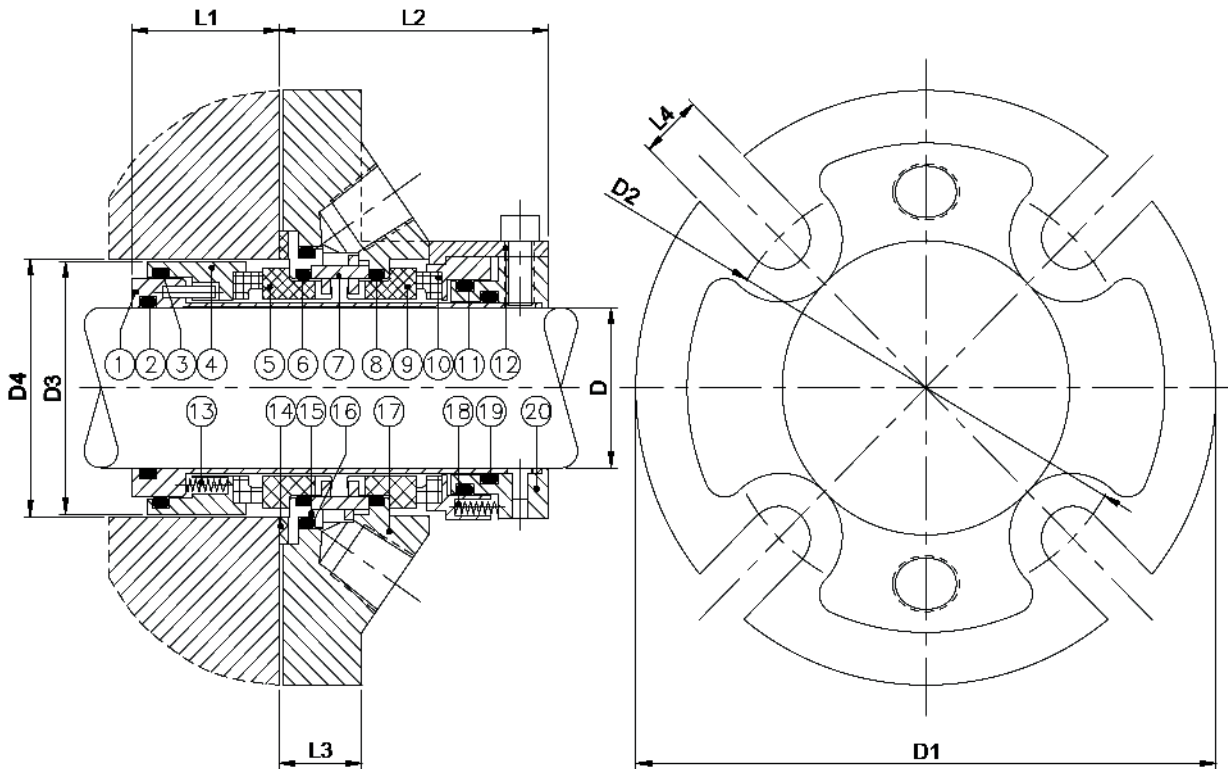
O-Ring: NBR, EPDM, Aflas®, Viton®, Kalrez®

Rotary Face: SSiC, SiC, TC

Stationary Face: Carbon, SSiC, SiC, TC.

All trademarks are the property of their respective owners.

| D | D1 | D2 | D3 | D4 | L1 | L2 | L3 | L4 |
|-----|-------|-------|-----|-------|------|------|------|----|
| | | | | min | | | | |
| 110 | 241.3 | 198.4 | 135 | 136.5 | 38.1 | 60.3 | 19.6 | 21 |
| 115 | 254.0 | 211.1 | 142 | 142.9 | 38.1 | 60.3 | 19.6 | 23 |
| 120 | 254.0 | 211.1 | 142 | 142.9 | 38.1 | 60.3 | 19.6 | 23 |
| 125 | 254.0 | 211.1 | 148 | 149.2 | 38.1 | 60.3 | 19.6 | 23 |



| D | D1 | D2 | D3 | D4 | L1 | L2 | L3 | L4 |
|-----|-------|-------|-----|-------|------|------|------|----|
| | | | | min | | | | |
| 25 | 104.8 | 67.0 | 40 | 41.0 | 32.5 | 52.4 | 13.2 | 13 |
| 28 | 108.0 | 70.3 | 43 | 44.0 | 32.5 | 52.4 | 13.2 | 13 |
| 30 | 111.0 | 73.5 | 45 | 46.0 | 32.5 | 52.4 | 13.2 | 13 |
| 32 | 111.0 | 73.5 | 47 | 48.0 | 32.5 | 52.4 | 13.2 | 13 |
| 33 | 111.0 | 73.5 | 48 | 49.0 | 32.5 | 52.4 | 13.2 | 13 |
| 35 | 111.0 | 76.6 | 50 | 51.0 | 32.5 | 52.4 | 13.2 | 13 |
| 38 | 127.0 | 85.7 | 55 | 57.2 | 33.3 | 54.0 | 16.4 | 13 |
| 40 | 127.0 | 85.7 | 57 | 58.0 | 33.3 | 54.0 | 16.4 | 13 |
| 43 | 127.0 | 85.7 | 60 | 61.0 | 33.3 | 54.0 | 16.4 | 13 |
| 45 | 139.7 | 95.3 | 62 | 63.5 | 33.3 | 54.0 | 16.4 | 13 |
| 48 | 139.7 | 95.3 | 65 | 66.7 | 33.3 | 54.0 | 16.4 | 13 |
| 50 | 139.7 | 95.3 | 67 | 68.0 | 33.3 | 54.0 | 16.4 | 13 |
| 53 | 152.4 | 104.8 | 70 | 71.0 | 35.0 | 54.0 | 16.4 | 13 |
| 55 | 152.4 | 104.8 | 73 | 74.0 | 35.0 | 54.0 | 16.4 | 13 |
| 58 | 165.1 | 114.3 | 75 | 76.2 | 35.0 | 54.0 | 16.4 | 17 |
| 60 | 165.1 | 114.3 | 78 | 79.4 | 35.0 | 54.0 | 16.4 | 17 |
| 63 | 177.8 | 127.0 | 85 | 85.8 | 38.1 | 60.3 | 19.6 | 17 |
| 65 | 177.8 | 127.0 | 88 | 88.9 | 38.1 | 60.3 | 19.6 | 17 |
| 68 | 177.8 | 127.0 | 91 | 92.1 | 38.1 | 60.3 | 19.6 | 17 |
| 70 | 177.8 | 127.0 | 91 | 92.1 | 38.1 | 60.3 | 19.6 | 17 |
| 75 | 190.5 | 142.9 | 97 | 98.5 | 38.1 | 60.3 | 19.6 | 17 |
| 80 | 190.5 | 142.9 | 100 | 101.6 | 38.1 | 60.3 | 19.6 | 17 |
| 85 | 203.2 | 155.6 | 107 | 108.0 | 38.1 | 60.3 | 19.6 | 21 |
| 90 | 215.9 | 171.5 | 113 | 114.3 | 38.1 | 60.3 | 19.6 | 21 |
| 95 | 215.9 | 171.5 | 116 | 117.5 | 38.1 | 60.3 | 19.6 | 21 |
| 100 | 228.6 | 189.0 | 123 | 123.9 | 38.1 | 60.3 | 19.6 | 21 |
| 105 | 228.6 | 189.0 | 129 | 130.1 | 38.1 | 60.3 | 19.6 | 21 |