



- |                   |                  |           |
|-------------------|------------------|-----------|
| 1 Sleeve          | 8 Setting Clip   | 15 Pin    |
| 2 Pin             | 9 Clip Screw     | 16 O-Ring |
| 3 Retainer        | 10 Drive Collar  | 17 Spring |
| 4 Gasket          | 11 Snap Ring     | 18 O-Ring |
| 5 Rotary Face     | 12 Drive Screw   | 19 O-Ring |
| 6 Stationary Face | 13 Throttle Ring |           |
| 7 Gland           | 14 O-Ring        |           |

## Features:

A single seal, with an API type gland, provides temperature control and protection from atmospheric contact for these applications.

## Operating Conditions:

Pressure: Up to 25kg/cm<sup>2</sup> (355 PSI)

Temperature: -40°C ~200°C

Speed: Up to 16m/s

## Material:

Rotary Face: SSiC, SiC, TC.

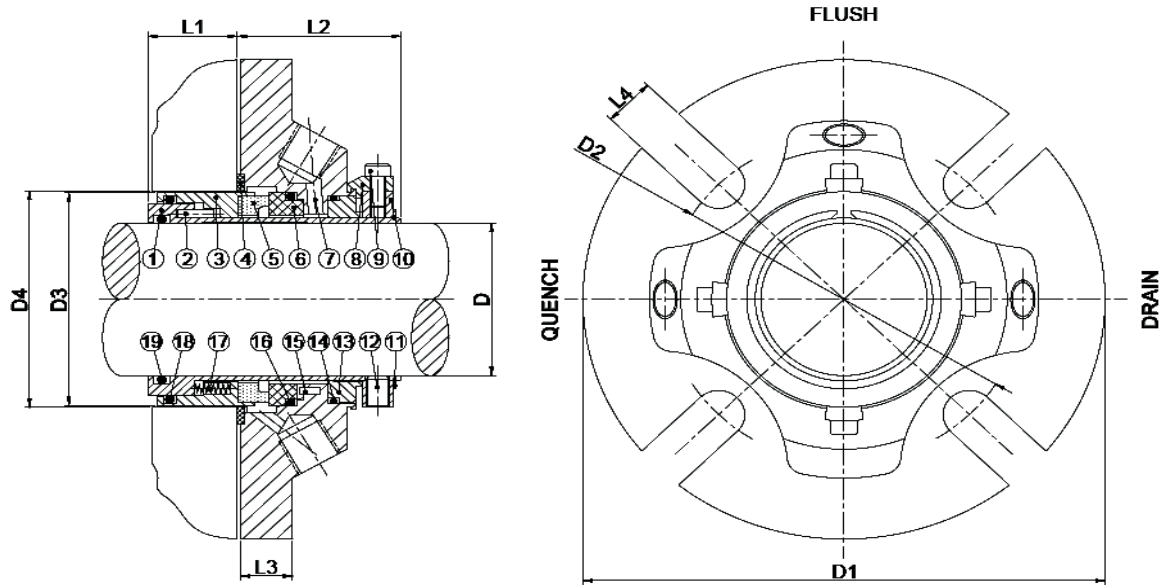
Stationary Face: SSiC, SiC, TC, Carbon.

O-Ring: Viton®, Aflas®, EPDM, Kalrez®

Spring: 316SS, Has C

All Metal Parts: 304SS, 316SS

All trademarks are the property of their respective owners.



D	D1	D2		D3	D4		L1	L2	L3	L4
		min	max		min	max				
1.000	4.125	2.687	3.562	1.575	1.625	1.937	1.125	1.590	0.519	0.525
1.125	4.250	2.812	3.687	1.732	1.750	2.062	1.125	1.590	0.519	0.525
1.250	4.375	2.937	3.812	1.850	1.875	2.187	1.125	1.590	0.519	0.525
1.375	4.375	3.062	3.812	1.969	2.000	2.250	1.125	1.590	0.519	0.525
1.500	5.000	3.375	4.437	2.205	2.250	2.375	1.125	1.752	0.644	0.562
1.625	5.000	3.375	4.437	2.323	2.375	2.500	1.125	1.752	0.644	0.562
1.750	5.500	3.750	4.937	2.480	2.500	2.750	1.125	1.752	0.644	0.562
1.875	5.500	3.750	4.937	2.598	2.625	2.875	1.125	1.752	0.644	0.562
2.000	6.000	4.125	5.437	2.717	2.750	3.000	1.125	1.752	0.644	0.562
2.125	6.000	4.125	5.437	2.835	2.875	3.125	1.125	1.752	0.644	0.562
2.250	6.500	4.500	5.812	2.953	3.000	3.250	1.125	1.752	0.644	0.687
2.375	6.500	4.500	5.812	3.071	3.125	3.375	1.125	1.752	0.644	0.687
2.500	7.000	5.000	6.312	3.346	3.375	3.625	1.250	1.877	0.769	0.687
2.625	7.000	5.000	6.312	3.465	3.500	3.750	1.250	1.877	0.769	0.687
2.750	7.000	5.000	6.312	3.583	3.625	3.875	1.250	1.877	0.769	0.687
2.875	7.500	5.625	6.812	3.701	3.750	4.125	1.250	1.877	0.769	0.687
3.000	7.500	5.625	6.812	3.819	3.875	4.250	1.250	1.877	0.769	0.687
3.125	7.500	5.625	6.812	3.976	4.000	4.375	1.250	1.877	0.769	0.687
3.250	8.000	6.125	7.187	4.094	4.125	4.500	1.250	1.877	0.769	0.812
3.375	8.000	6.125	7.187	4.213	4.250	4.625	1.250	1.877	0.769	0.812
3.500	8.000	6.125	7.187	4.331	4.375	4.750	1.250	1.877	0.769	0.812
3.625	8.500	6.750	7.687	4.449	4.500	5.000	1.250	1.877	0.769	0.812
3.750	8.500	6.750	7.687	4.606	4.625	5.125	1.250	1.877	0.769	0.812
3.875	8.500	6.750	7.687	4.724	4.750	5.250	1.250	1.877	0.769	0.812
4.000	9.000	7.437	8.187	4.843	4.875	5.500	1.250	1.877	0.769	0.812
4.125	9.000	7.437	8.187	5.079	5.125	5.875	1.250	1.877	0.769	0.812
4.250	9.000	7.437	8.187	5.079	5.125	5.875	1.250	1.877	0.769	0.812
4.375	9.500	7.812	8.687	5.354	5.375	6.250	1.250	1.877	0.769	0.812
4.500	9.500	7.812	8.687	5.354	5.375	6.250	1.250	1.877	0.769	0.812
4.625	10.000	8.312	9.062	5.591	5.625	6.625	1.250	1.877	0.769	0.967
4.750	10.000	8.312	9.062	5.591	5.625	6.625	1.250	1.877	0.769	0.967
4.875	10.000	8.312	9.062	5.827	5.875	6.625	1.250	1.877	0.769	0.967
5.000	10.000	8.312	9.062	5.827	5.875	6.625	1.250	1.877	0.769	0.967