



- | | | |
|-------------------|------------------|-----------|
| 1 Sleeve | 8 Setting Clip | 15 Pin |
| 2 Pin | 9 Clip Screw | 16 O-Ring |
| 3 Retainer | 10 Drive Collar | 17 Spring |
| 4 Gasket | 11 Snap Ring | 18 O-Ring |
| 5 Rotary Face | 12 Drive Screw | 19 O-Ring |
| 6 Stationary Face | 13 Throttle Ring | |
| 7 Gland | 14 O-Ring | |

Features:

A single seal, with an API type gland, provides temperature control and protection from atmospheric contact for these applications.

Operating Conditions:

Pressure: Up to 25kg/cm² (355 PSI)

Temperature: -40°C ~200°C

Speed: Up to 16m/s

Material:

Rotary Face: SSiC, SiC, TC.

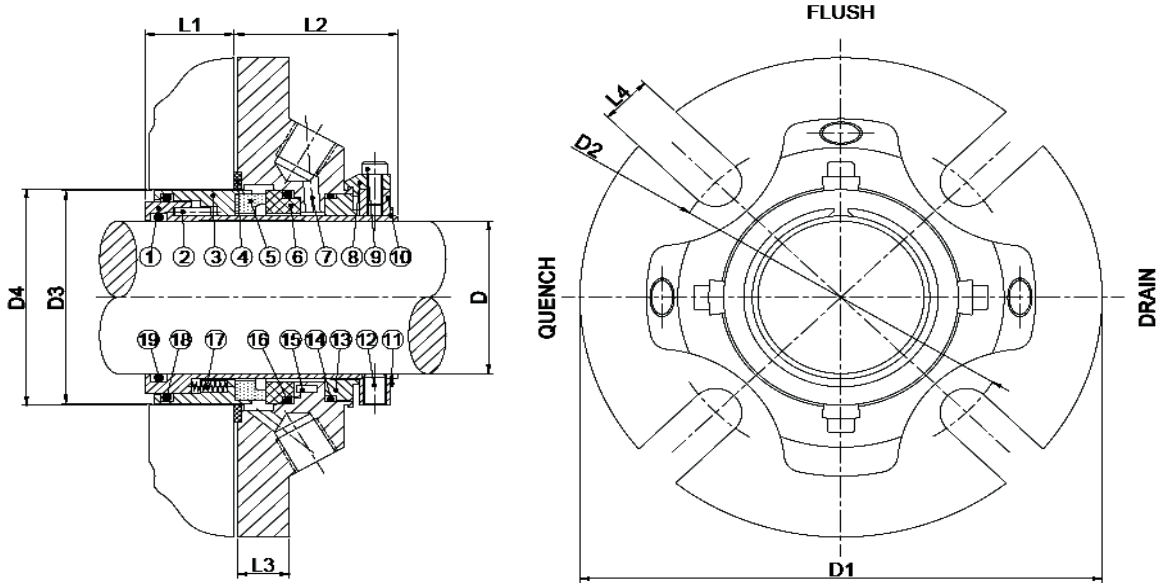
Stationary Face: SSiC, SiC, TC, Carbon.

O-Ring: Viton®, Aflas®, EPDM, Kalrez®

Spring: 316SS, Has C

All Metal Parts: 304SS, 316SS

All trademarks are the property of their respective owners.



D	D1	D2		D3	D4		L1	L2	L3	L4
		min	max		min	max				
25	104.8	67.0	90.5	40	41.0	49.0	28.6	40.5	13.2	13.3
28	108.0	70.3	93.6	43	44.0	52.3	28.6	40.5	13.2	13.3
30	111.0	73.5	96.8	45	46.0	55.5	28.6	40.5	13.2	13.3
32	111.0	73.5	96.8	47	48.0	55.5	28.6	40.5	13.2	13.3
33	111.0	73.5	96.8	48	49.0	55.5	28.6	40.5	13.2	13.3
35	111.0	76.6	96.8	50	51.0	57.5	28.6	40.5	13.2	13.3
38	127.0	85.7	114.3	55	57.2	60.4	28.6	44.5	16.4	14.3
40	127.0	85.7	114.3	57	58.0	60.4	28.6	44.5	16.4	14.3
43	139.7	95.3	127.0	60	61.0	69.9	28.6	44.5	16.4	14.3
45	139.7	95.3	127.0	62	63.5	69.9	28.6	44.5	16.4	14.3
48	139.7	95.3	127.0	65	66.7	73.0	28.6	44.5	16.4	14.3
50	152.4	104.8	139.7	67	68.0	76.2	28.6	44.5	16.4	14.3
53	152.4	104.8	139.7	70	71.0	76.2	28.6	44.5	16.4	14.3
55	165.1	114.3	149.2	73	74.0	82.5	28.6	44.5	16.4	17.4
58	165.1	114.3	149.2	75	76.2	82.6	28.6	44.5	16.4	17.4
60	165.1	114.3	149.2	78	79.4	85.7	28.6	44.5	16.4	17.4
63	177.8	127.0	160.3	85	85.8	92.1	31.8	47.7	19.6	17.4
65	177.8	127.0	160.3	88	88.9	95.3	31.8	47.7	19.6	17.4
68	177.8	127.0	160.3	91	92.1	98.4	31.8	47.7	19.6	17.4
70	177.8	127.0	160.3	91	92.1	98.4	31.8	47.7	19.6	17.4
75	190.5	142.9	173.0	97	98.5	108.0	31.8	47.7	19.6	17.4
80	190.5	142.9	173.0	100	101.6	111.1	31.8	47.7	19.6	17.4
85	203.2	155.6	182.5	107	108.0	117.5	31.8	47.7	19.6	20.6
90	215.9	171.5	195.2	113	114.3	127.0	31.8	47.7	19.6	20.6
95	215.9	171.5	195.2	116	117.5	130.2	31.8	47.7	19.6	20.6
100	228.6	188.9	207.9	123	123.9	139.7	31.8	47.7	19.6	20.6
105	228.6	189.0	208.0	129	130.1	149.2	31.8	47.7	19.6	20.6
110	241.3	198.4	220.6	135	136.5	158.8	31.8	47.7	19.6	20.6
115	254.0	211.1	230.2	142	142.9	168.3	31.8	47.7	19.6	24.5
120	254.0	211.1	230.2	142	142.9	168.3	31.8	47.7	19.6	24.5
125	254.0	211.1	230.2	148	149.2	168.3	31.8	47.7	19.6	24.5