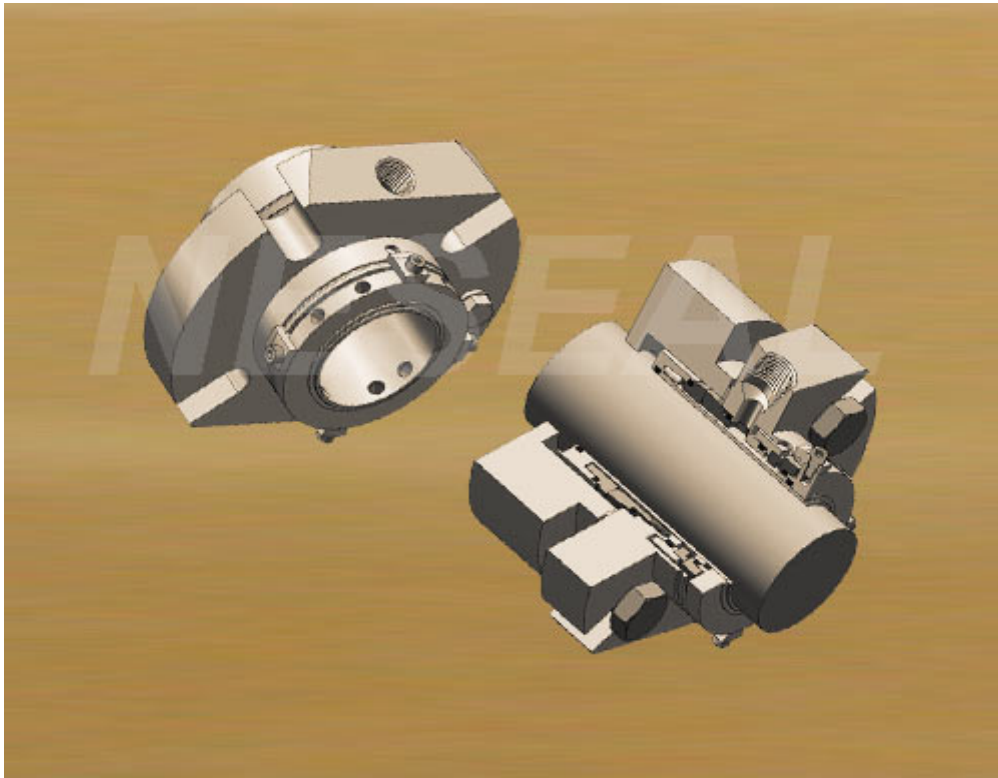


TYPE NES-41DE (Inch)

Equivalent to Burgmann Cartex-DN



1 Sleeve	8 Pin	15 Drive Collar	22 Spring
2 Pin	9 Seat Body	16 Snap Ring	23 O-Ring
3 Rotary Face	10 Seat Insert	17 Drive Screw	24 O-Ring
4 Gasket	11 Rotary Face	18 O-Ring	25 O-Ring
5 Stationary Face	12 Setting Clip	19 O-Ring	26 Screw Plug
6 Gland	13 Clip Screw	20 O-Ring	27 Gasket
7 Pin	14 Pin	21 Spring	

Features:

Cartridge, balanced double seal with buffer pressure system. This design provides ultimate flexibility and back up protection for the hazardous process fluid application.

Operating Conditions:

Pressure: Up to 25kg/cm² (355 PSI)

Temperature: -40°C ~220°C

Speed: Up to 16m/s

Material:

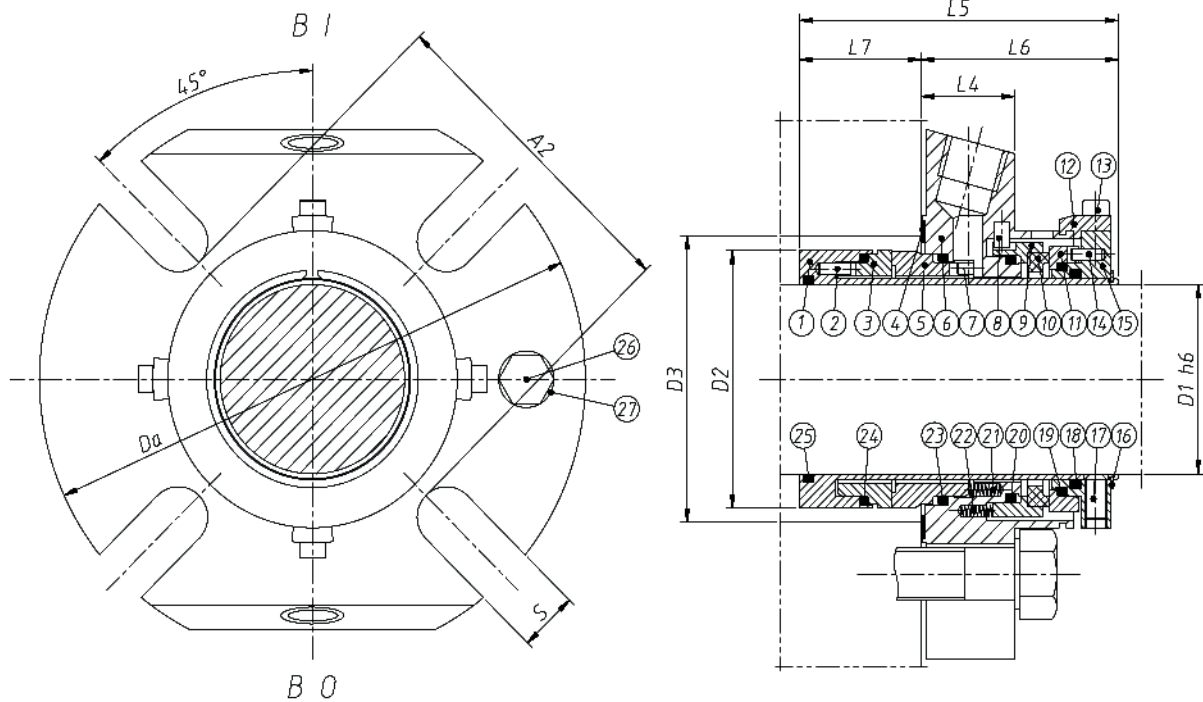
Rotary Face: SSiC, SiC, TC.

Stationary Face: SSiC, SiC, TC, Carbon.

O-Ring: Viton®, Aflas®, EPDM, Kalrez®

Spring: 316SS, Has C

All Metal Parts: 304SS, 316SS



D1	D2	D3		L4	L5	L6	L7	A2	Da	S
		min.	max.							
1.000	1.693	1.750	2.000	1.000	3.405	2.102	1.303	2.440	4.134	0.520
1.125	1.811	1.875	2.050	1.000	3.405	2.102	1.303	2.402	4.134	0.520
1.250	1.960	2.000	2.250	1.000	3.405	2.102	1.303	2.760	4.330	0.520
1.375	2.086	2.125	2.420	1.000	3.405	2.102	1.303	2.840	4.449	0.520
1.500	2.200	2.250	2.625	1.000	3.405	2.102	1.303	2.950	4.842	0.520
1.625	2.340	2.375	2.700	1.000	3.405	2.102	1.303	3.090	4.842	0.599
1.750	2.460	2.500	2.812	1.000	3.405	2.102	1.303	3.230	5.433	0.599
1.875	2.582	2.625	2.940	1.000	3.405	2.102	1.303	3.350	5.433	0.599
2.000	2.677	2.750	3.190	1.000	3.405	2.102	1.303	3.430	5.827	0.599
2.125	2.834	2.875	3.437	1.000	3.405	2.102	1.303	3.819	5.827	0.709
2.250	2.960	3.000	3.560	1.000	3.405	2.102	1.303	3.940	6.181	0.709
2.375	3.070	3.125	3.590	1.000	3.405	2.102	1.303	4.020	6.181	0.709
2.500	3.212	3.250	3.800	1.000	3.405	2.102	1.303	4.180	6.417	0.709
2.625	3.338	3.375	3.937	1.000	3.405	2.102	1.303	4.303	6.417	0.709
2.750	3.660	3.750	4.250	1.000	3.405	2.102	1.303	4.660	7.008	0.709
2.875	3.937	4.000	4.646	1.000	4.252	2.516	1.736	5.079	7.480	0.709
3.000	3.937	4.000	4.646	1.102	4.252	2.516	1.736	5.079	7.480	0.709
3.125	4.190	4.125	4.764	1.102	4.252	2.516	1.736	5.315	7.677	0.709
3.250	4.189	4.250	4.882	1.102	4.252	2.516	1.736	5.315	7.677	0.709
3.375	4.311	4.375	5.039	1.102	4.252	2.516	1.736	5.472	7.795	0.866
3.500	4.437	4.500	5.157	1.102	4.252	2.516	1.736	5.591	7.795	0.866
3.625	4.563	4.625	5.315	1.102	4.252	2.516	1.736	5.709	8.071	0.866
3.750	4.689	4.750	5.433	1.102	4.252	2.516	1.736	5.827	8.189	0.866
4.000	4.937	5.000	5.669	1.102	4.252	2.516	1.736	6.063	8.583	0.866