

- |                   |                 |                 |               |
|-------------------|-----------------|-----------------|---------------|
| 1 Sleeve          | 8 Pin           | 15 Drive Collar | 22 Spring     |
| 2 Pin             | 9 Seat Body     | 16 Snap Ring    | 23 O-Ring     |
| 3 Rotary Face     | 10 Seat Insert  | 17 Drive Screw  | 24 O-Ring     |
| 4 Gasket          | 11 Rotary Face  | 18 O-Ring       | 25 O-Ring     |
| 5 Stationary Face | 12 Setting Clip | 19 O-Ring       | 26 Screw Plug |
| 6 Gland           | 13 Clip Screw   | 20 O-Ring       | 27 Gasket     |
| 7 Pin             | 14 Pin          | 21 Spring       |               |

## Features:

Cartridge, balanced double seal with buffer pressure system. This design provides ultimate flexibility and back up protection for the hazardous process fluid application.

## Operating Conditions:

Pressure: Up to 25kg/cm<sup>2</sup> (355 PSI)

Temperature: -40°C ~220°C

Speed: Up to 16m/s

## Material:

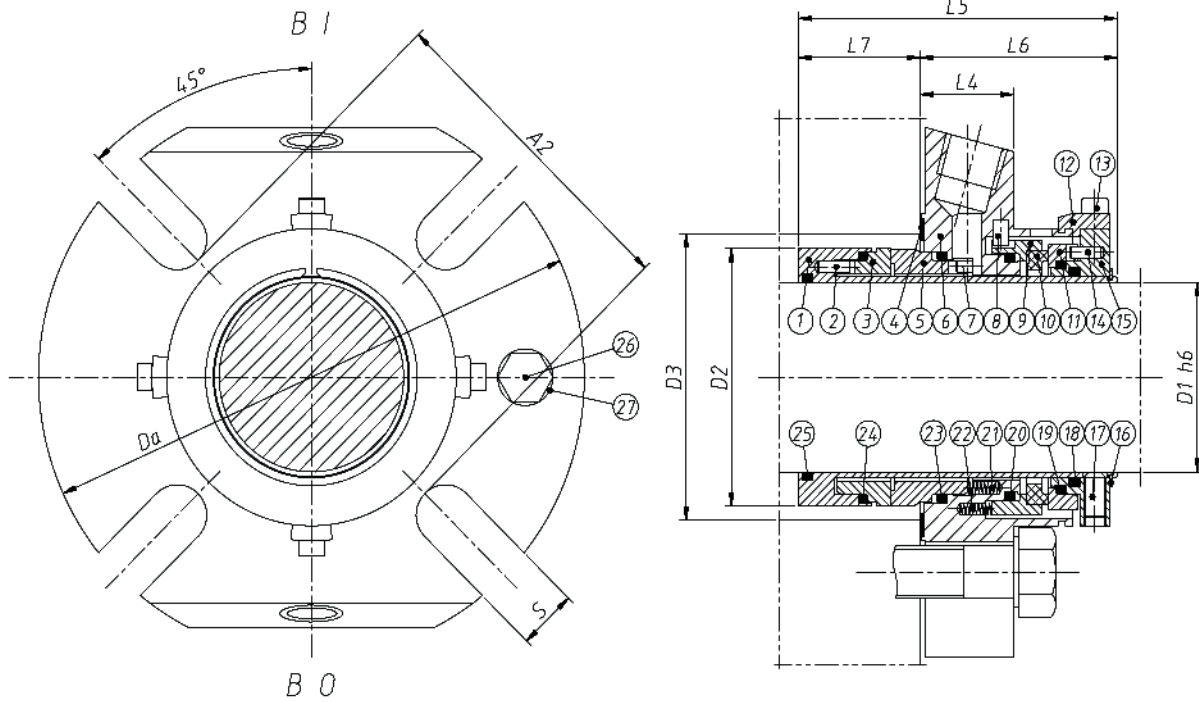
Rotary Face: SSiC, SiC, TC.

Stationary Face: SSiC, SiC, TC, Carbon.

O-Ring: Viton®, Aflas®, EPDM, Kalrez®

Spring: 316SS, Has C

All Metal Parts: 304SS, 316SS



D1	D2	D3		L4	L5	L6	L7	A2	Da	S
		min.	max.							
25	43.0	44.0	51.5	25.4	86.5	53.4	33.1	62	105	13.2
28	46.0	47.0	52.0	25.4	86.5	53.4	33.1	61	105	13.2
30	48.0	49.0	56.0	25.4	86.5	53.4	33.1	67	105	13.2
32	49.8	51.0	57.0	25.4	86.5	53.4	33.1	70	110	13.2
33	49.8	51.0	57.0	25.4	86.5	53.4	33.1	70	110	13.2
35	53.0	54.0	61.5	25.4	86.5	53.4	33.1	72	113	13.2
38	56.0	57.0	66.0	25.4	86.5	53.4	33.1	75	123	13.2
40	58.0	59.0	68.0	25.4	86.5	53.4	33.1	77	123	14.2
42	60.5	61.5	69.5	25.4	86.5	53.4	33.1	80	133	14.2
43	60.5	61.5	70.5	25.4	86.5	53.4	33.1	80	133	14.2
45	62.5	64.0	73.0	25.4	86.5	53.4	33.1	82	138	14.2
48	65.6	67.0	75.0	25.4	86.5	53.4	33.1	85	138	14.2
50	68.0	69.0	78.0	25.4	86.5	53.4	33.1	87	148	14.2
53	72.0	73.0	87.0	25.4	86.5	53.4	33.1	97	148	18.0
55	73.0	74.0	83.0	25.4	86.5	53.4	33.1	92	148	18.0
60	78.0	79.0	91.0	25.4	86.5	53.4	33.1	102	157	18.0
65	84.8	85.7	98.5	25.4	86.5	53.4	33.1	109	163	18.0
70	93.0	95.0	108.0	25.4	86.5	53.4	33.1	118	178	18.0
75	100.0	101.6	118.0	28.0	108.0	63.9	44.1	129	190	18.0
80	106.4	108.0	124.0	28.0	108.0	63.9	44.1	135	195	18.0
85	109.5	111.1	128.0	28.0	108.0	63.9	44.1	139	198	22.0
90	115.9	117.5	135.0	28.0	108.0	63.9	44.1	145	205	22.0
95	119.1	120.7	138.0	28.0	108.0	63.9	44.1	148	208	22.0
100	125.4	127.0	144.0	28.0	108.0	63.9	44.1	154	218	22.0