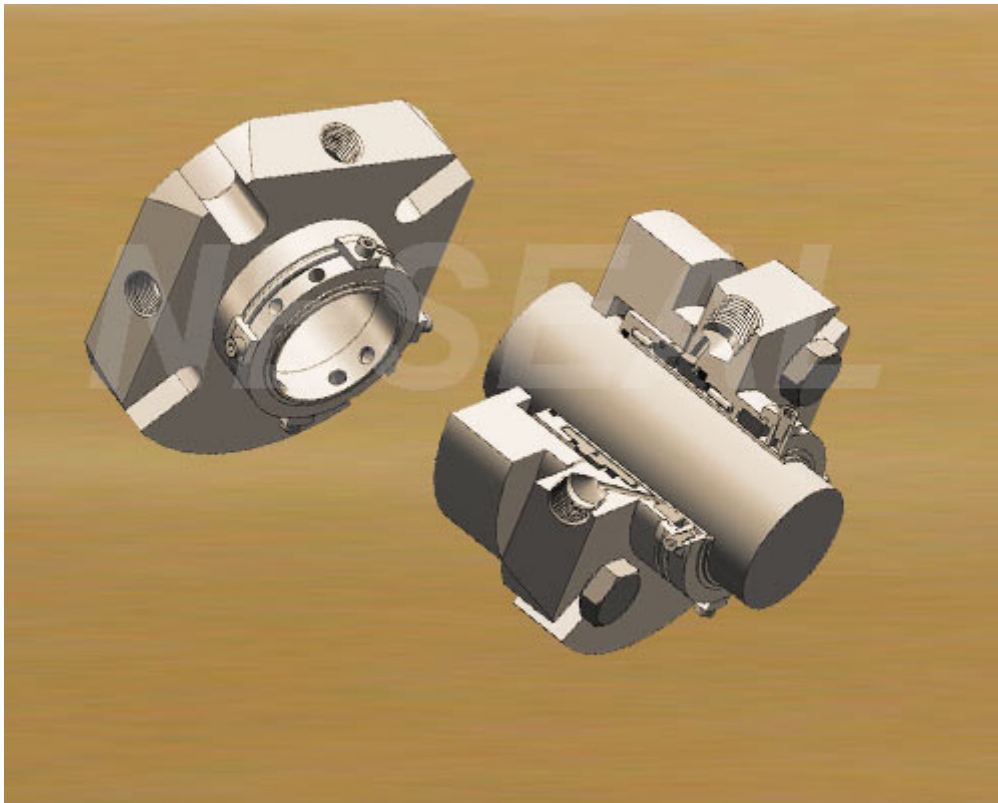


# TYPE NES-41QE/TE (Inch) Equivalent to Burgmann Cartex-QN/TN



- |                   |                 |                   |
|-------------------|-----------------|-------------------|
| 1 Sleeve          | 7 Pin           | 13 Spring         |
| 2 Pin             | 8 Setting Clip  | 14 O-Ring         |
| 3 Rotary Face     | 9 Clip Screw    | 15 O-Ring         |
| 4 Gasket          | 10 Drive Collar | 16 O-Ring         |
| 5 Stationary Face | 11 Snap Ring    | 17 Lip Seal(QE)   |
| 6 Gland           | 12 Drive Screw  | Throttle Ring(TE) |

## Features:

Cartridge, balanced single seal for operation with unpressurized fluid quench. Same design as "SE" but with a lip seal(throttle ring "TE") on the atmospheric side. Widely used in Centrifugal pumps, eccentric screw pumps, and process pumps.

## Operating Conditions:

Pressure: Up to 25kg/cm<sup>2</sup> (355 PSI)

Temperature: -40°C ~220°C

Speed: Up to 16m/s

## Material:

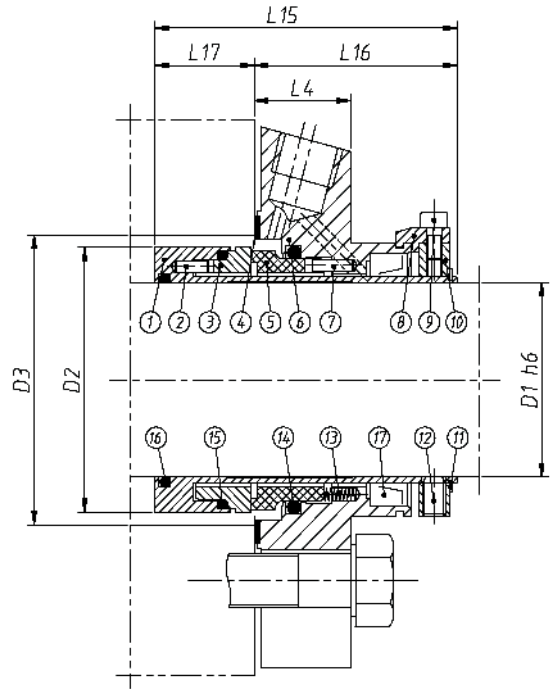
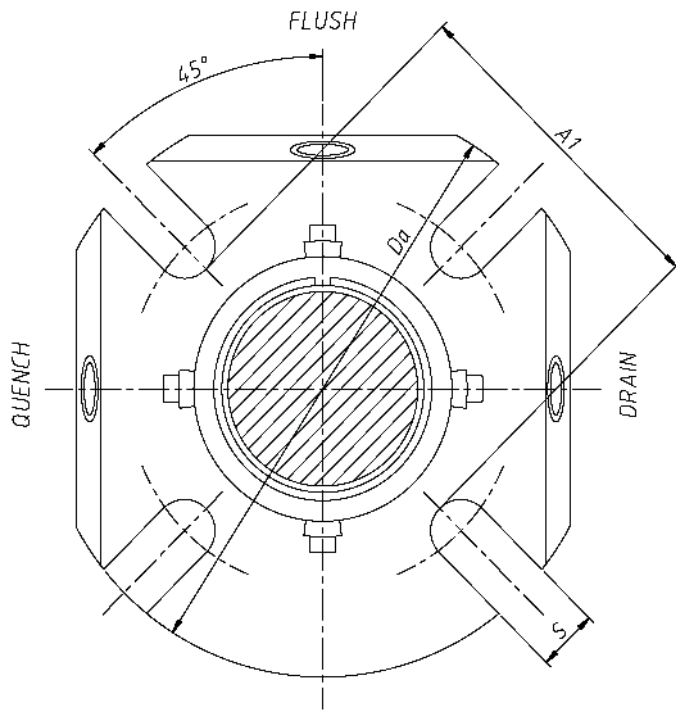
Rotary Face: SSiC, SiC, TC.

Stationary Face: SSiC,SiC,TC, Carbon.

O-Ring: Viton®, Aflas®, EPDM, Kalrez®

Spring: 316SS, Has C

All Metal Parts: 304SS,316SS



D1	D2	D3		L15	L16	L17	L4	A1	Da	S
		min.	max.							
1.000	1.693	1.750	2.000	3.130	2.102	1.028	1.000	2.440	4.134	0.520
1.125	1.811	1.875	2.050	3.130	2.102	1.028	1.000	2.440	4.134	0.520
1.250	1.960	2.000	2.250	3.130	2.102	1.028	1.000	2.640	4.330	0.520
1.375	2.086	2.125	2.420	3.130	2.102	1.028	1.000	2.750	4.449	0.520
1.500	2.200	2.250	2.625	3.130	2.102	1.028	1.000	2.950	4.842	0.520
1.625	2.340	2.375	2.700	3.130	2.102	1.028	1.000	3.030	4.842	0.599
1.750	2.460	2.500	2.812	3.130	2.102	1.028	1.000	3.190	5.433	0.599
1.875	2.582	2.625	2.940	3.130	2.102	1.028	1.000	3.190	5.433	0.599
2.000	2.677	2.750	3.190	3.130	2.102	1.028	1.000	3.430	5.827	0.599
2.125	2.834	2.875	3.437	3.130	2.102	1.028	1.000	3.820	5.827	0.709
2.250	2.960	3.000	3.560	3.130	2.102	1.028	1.000	3.940	6.181	0.709
2.375	3.070	3.125	3.590	3.130	2.102	1.028	1.000	4.020	6.181	0.709
2.500	3.212	3.250	3.800	3.130	2.102	1.028	1.000	4.170	6.417	0.709
2.625	3.338	3.375	3.937	3.130	2.102	1.028	1.000	4.290	6.417	0.709
2.750	3.660	3.750	4.250	3.130	2.102	1.028	1.000	4.650	7.008	0.709
2.875	3.937	4.000	4.646	3.859	2.516	1.343	1.000	5.079	7.480	0.709
3.000	3.937	4.000	4.646	3.859	2.516	1.343	1.102	5.079	7.480	0.709
3.125	4.190	4.125	4.764	3.859	2.516	1.343	1.102	5.315	7.677	0.709
3.250	4.189	4.250	4.882	3.859	2.516	1.343	1.102	5.315	7.677	0.709
3.375	4.311	4.375	5.039	3.859	2.516	1.343	1.102	5.472	7.795	0.866
3.500	4.437	4.500	5.157	3.859	2.516	1.343	1.102	5.591	7.795	0.866
3.625	4.563	4.625	5.315	3.859	2.516	1.343	1.102	5.709	8.071	0.866
3.750	4.689	4.750	5.433	3.859	2.516	1.343	1.102	5.827	8.189	0.866
4.000	4.937	5.000	5.669	3.859	2.516	1.343	1.102	6.063	8.583	0.866