

- |                   |                 |                   |
|-------------------|-----------------|-------------------|
| 1 Sleeve          | 7 Pin           | 13 Spring         |
| 2 Pin             | 8 Setting Clip  | 14 O-Ring         |
| 3 Rotary Face     | 9 Clip Screw    | 15 O-Ring         |
| 4 Gasket          | 10 Drive Collar | 16 O-Ring         |
| 5 Stationary Face | 11 Snap Ring    | 17 Lip Seal(QE)   |
| 6 Gland           | 12 Drive Screw  | Throttle Ring(TE) |

## Features:

Cartridge, balanced single seal for operation with unpressurized fluid quench. Same design as "SE" but with a lip seal (throttle ring "TE") on the atmospheric side. Widely used in Centrifugal pumps, eccentric screw pumps, and process pumps.

## Operating Conditions:

Pressure: Up to 25kg/cm<sup>2</sup> (355 PSI)

Temperature: -40°C ~220°C

Speed: Up to 16m/s

## Material:

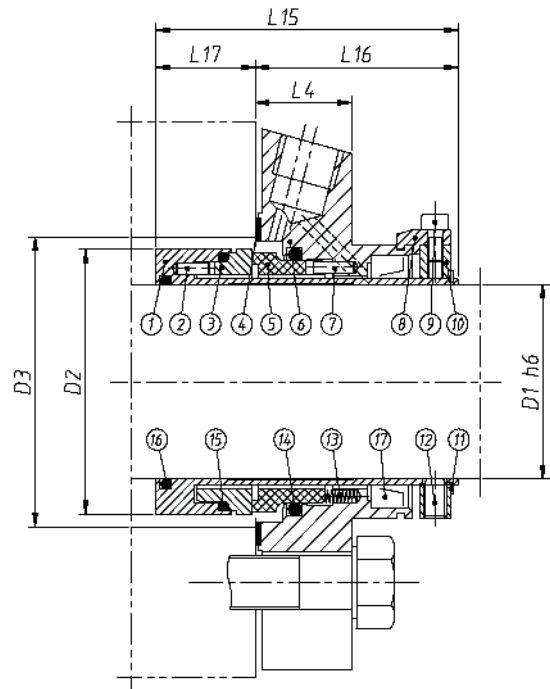
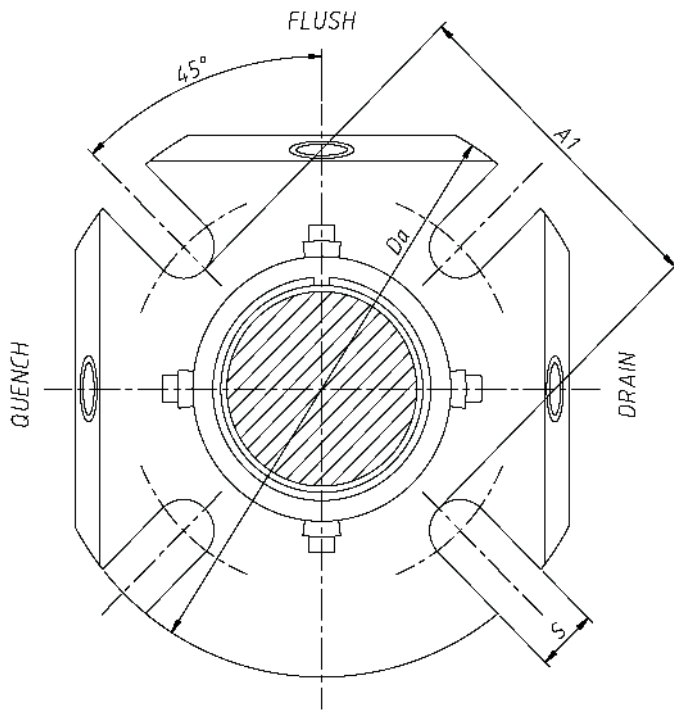
Rotary Face: SSiC, SiC, TC.

Stationary Face: SSiC, SiC, TC, Carbon.

O-Ring: Viton®, Aflas®, EPDM, Kalrez®

Spring: 316SS, Has C

All Metal Parts: 304SS, 316SS



D1	D2	D3		L15	L16	L17	L4	A1	Da	S
		min.	max.							
25	43.0	44.0	51.5	79.5	53.4	26.1	25.4	62	105	13.2
28	46.0	47.0	52.0	79.5	53.4	26.1	25.4	62	105	13.2
30	48.0	49.0	56.0	79.5	53.4	26.1	25.4	65	105	13.2
32	49.8	51.0	57.0	79.5	53.4	26.1	25.4	67	110	13.2
33	49.8	51.0	57.0	79.5	53.4	26.1	25.4	67	110	13.2
35	53.0	54.0	61.5	79.5	53.4	26.1	25.4	70	113	13.2
38	56.0	57.0	66.0	79.5	53.4	26.1	25.4	75	123	13.2
40	58.0	59.0	68.0	79.5	53.4	26.1	25.4	75	123	14.2
42	60.5	61.5	69.5	79.5	53.4	26.1	25.4	80	133	14.2
43	60.5	61.5	70.5	79.5	53.4	26.1	25.4	80	133	14.2
45	62.5	64.0	73.0	79.5	53.4	26.1	25.4	81	138	14.2
48	65.6	67.0	75.0	79.5	53.4	26.1	25.4	84	138	14.2
50	68.0	69.0	78.0	79.5	53.4	26.1	25.4	87	148	14.2
53	72.0	73.0	87.0	79.5	53.4	26.1	25.4	97	148	18.0
55	73.0	74.0	83.0	79.5	53.4	26.1	25.4	90	148	18.0
60	78.0	79.0	91.0	79.5	53.4	26.1	25.4	102	157	18.0
65	84.8	85.7	98.5	79.5	53.4	26.1	25.4	109	163	18.0
70	93.0	95.0	108.0	79.5	53.4	26.1	25.4	118	178	18.0
75	100.0	101.6	118.0	98.0	63.9	34.1	28.0	129	190	18.0
80	106.4	108.0	124.0	98.0	63.9	34.1	28.0	135	195	18.0
85	109.5	111.1	128.0	98.0	63.9	34.1	28.0	139	198	22.0
90	115.9	117.5	135.0	98.0	63.9	34.1	28.0	145	205	22.0
95	119.1	120.7	138.0	98.0	63.9	34.1	28.0	148	208	22.0
100	125.4	127.0	144.0	98.0	63.9	34.1	28.0	154	218	22.0