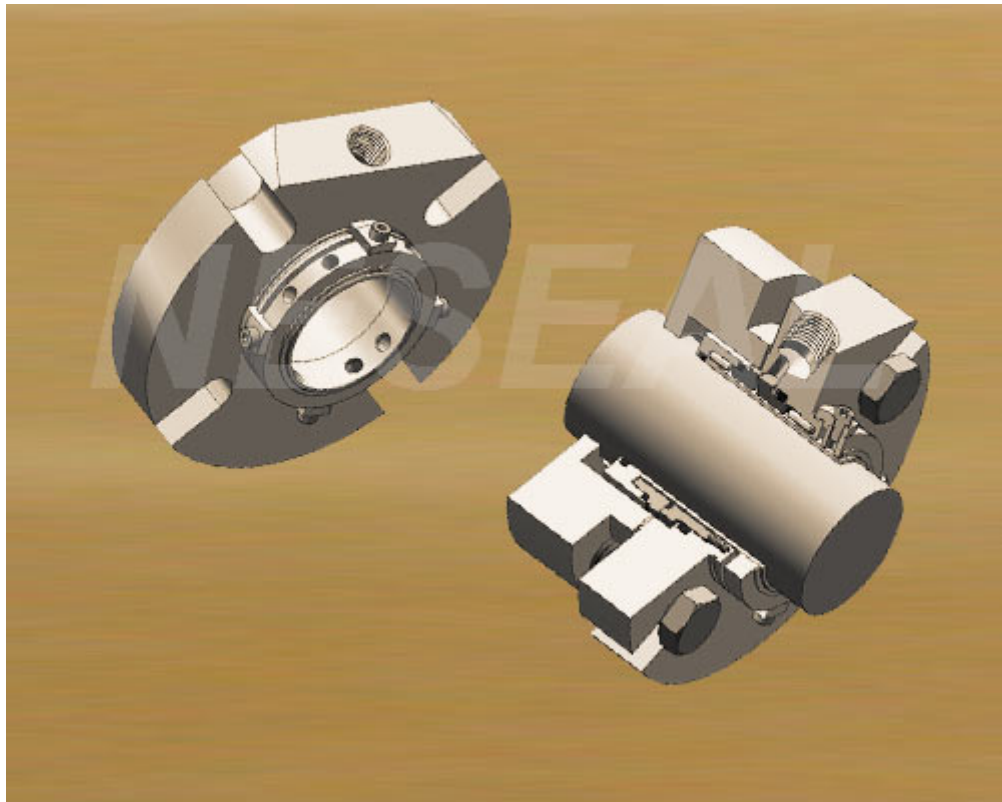


# TYPE NES-41SE (Inch)

Equivalent to Burgmann Cartex-SN



- |                   |                 |           |
|-------------------|-----------------|-----------|
| 1 Sleeve          | 7 Pin           | 13 Spring |
| 2 Pin             | 8 Setting Clip  | 14 O-Ring |
| 3 Rotary Face     | 9 Clip Screw    | 15 O-Ring |
| 4 Gasket          | 10 Drive Collar | 16 O-Ring |
| 5 Stationary Face | 11 Snap Ring    |           |
| 6 Gland           | 12 Drive Screw  |           |

## Features:

Cartridge, balanced single seal with connection for flushing. Widely used in Centrifugal pumps, eccentric screw pumps, and process pumps.

## Operating Conditions:

Pressure: Up to 25kg/cm<sup>2</sup> (355 PSI)

Temperature: -40°C ~220°C

Speed: Up to 16m/s

## Material:

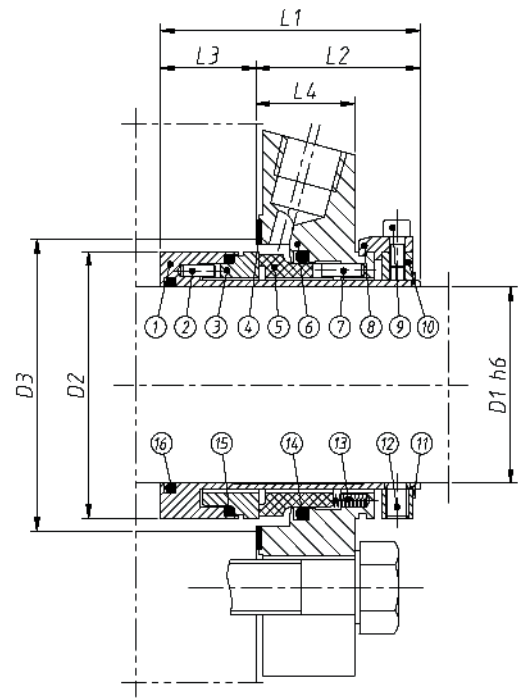
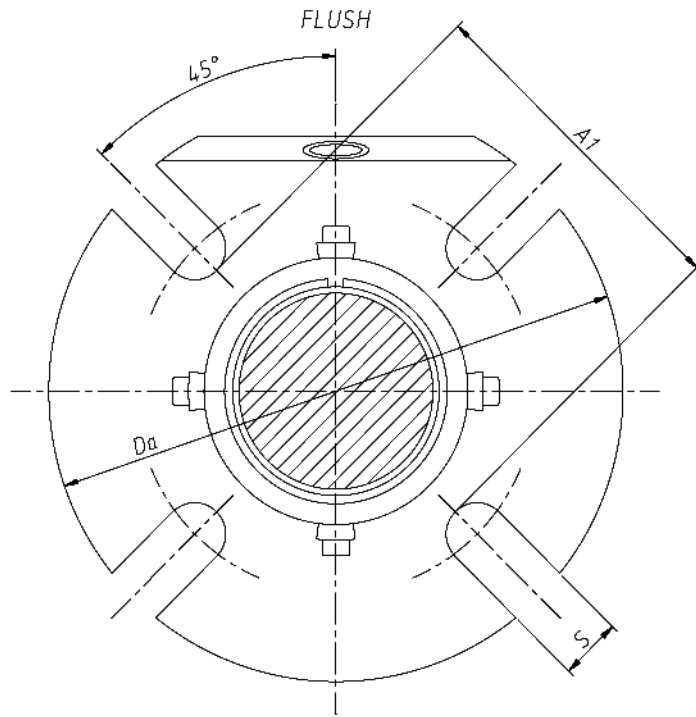
Rotary Face: SSiC, SiC, TC.

Stationary Face: SSiC, SiC, TC, Carbon.

O-Ring: Viton®, Aflas®, EPDM, Kalrez®

Spring: 316SS, Has C

All Metal Parts: 304SS, 316SS



D1	D2	D3		L1	L2	L3	L4	A1	Da	S
		min.	max.							
1.000	1.693	1.750	2.000	2.638	1.669	0.969	1.000	2.440	4.134	0.520
1.125	1.811	1.875	2.050	2.638	1.669	0.969	1.000	2.440	4.134	0.520
1.250	1.960	2.000	2.250	2.638	1.669	0.969	1.000	2.640	4.330	0.520
1.375	2.086	2.125	2.420	2.638	1.669	0.969	1.000	2.750	4.449	0.520
1.500	2.200	2.250	2.625	2.638	1.669	0.969	1.000	2.950	4.842	0.520
1.625	2.340	2.375	2.700	2.638	1.669	0.969	1.000	3.030	4.842	0.599
1.750	2.460	2.500	2.812	2.638	1.669	0.969	1.000	3.190	5.433	0.599
1.875	2.582	2.625	2.940	2.638	1.669	0.969	1.000	3.190	5.433	0.599
2.000	2.677	2.750	3.190	2.638	1.669	0.969	1.000	3.430	5.827	0.599
2.125	2.834	2.875	3.437	2.638	1.669	0.969	1.000	3.820	5.827	0.709
2.250	2.960	3.000	3.560	2.638	1.669	0.969	1.000	3.940	6.181	0.709
2.375	3.070	3.125	3.590	2.638	1.669	0.969	1.000	4.020	6.181	0.709
2.500	3.212	3.250	3.800	2.638	1.669	0.969	1.000	4.170	6.417	0.709
2.625	3.338	3.375	3.937	2.638	1.669	0.969	1.000	4.290	6.417	0.709
2.750	3.660	3.750	4.250	2.638	1.669	0.969	1.000	4.650	7.008	0.709
2.875	3.937	4.000	4.646	3.307	2.260	1.047	1.000	5.079	7.480	0.709
3.000	3.937	4.000	4.646	3.307	2.260	1.047	1.102	5.079	7.480	0.709
3.125	4.190	4.125	4.764	3.307	2.260	1.047	1.102	5.315	7.677	0.709
3.250	4.189	4.250	4.882	3.307	2.260	1.047	1.102	5.315	7.677	0.709
3.375	4.311	4.375	5.039	3.307	2.260	1.047	1.102	5.472	7.795	0.866
3.500	4.437	4.500	5.157	3.307	2.260	1.047	1.102	5.591	7.795	0.866
3.625	4.563	4.625	5.315	3.307	2.260	1.047	1.102	5.709	8.071	0.866
3.750	4.689	4.750	5.433	3.307	2.260	1.047	1.102	5.827	8.189	0.866
4.000	4.937	5.000	5.669	3.307	2.260	1.047	1.102	6.063	8.583	0.866