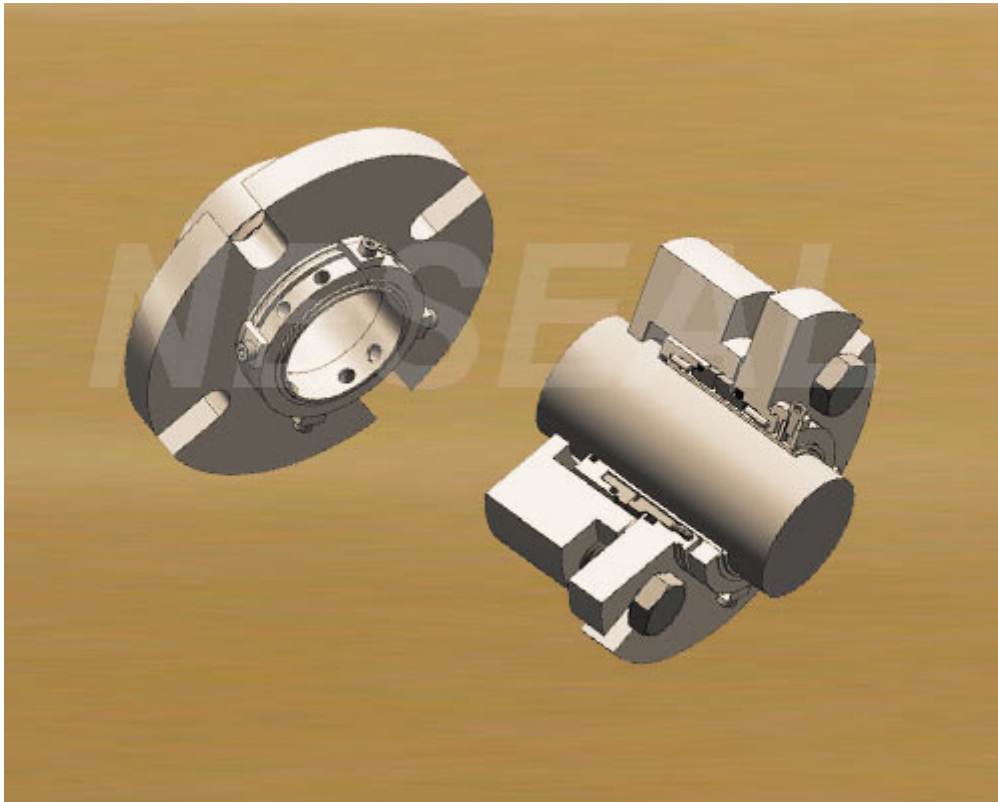


TYPE NES-41SO (Inch)

Equivalent to Burgmann Cartex-SNO



- | | | |
|-------------------|-----------------|-----------|
| 1 Sleeve | 7 Pin | 13 Spring |
| 2 Pin | 8 Setting Clip | 14 O-Ring |
| 3 Rotary Face | 9 Clip Screw | 15 O-Ring |
| 4 Gasket | 10 Drive Collar | 16 O-Ring |
| 5 Stationary Face | 11 Snap Ring | |
| 6 Gland | 12 Drive Screw | |

Features:

Cartridge, balanced single seal without connections for dead-end operation. Widely used in Centrifugal pumps, eccentric screw pumps, and process pumps.

Operating Conditions:

Pressure: Up to 25kg/cm² (355 PSI)

Temperature: -40°C ~220°C

Speed: Up to 16m/s

Material:

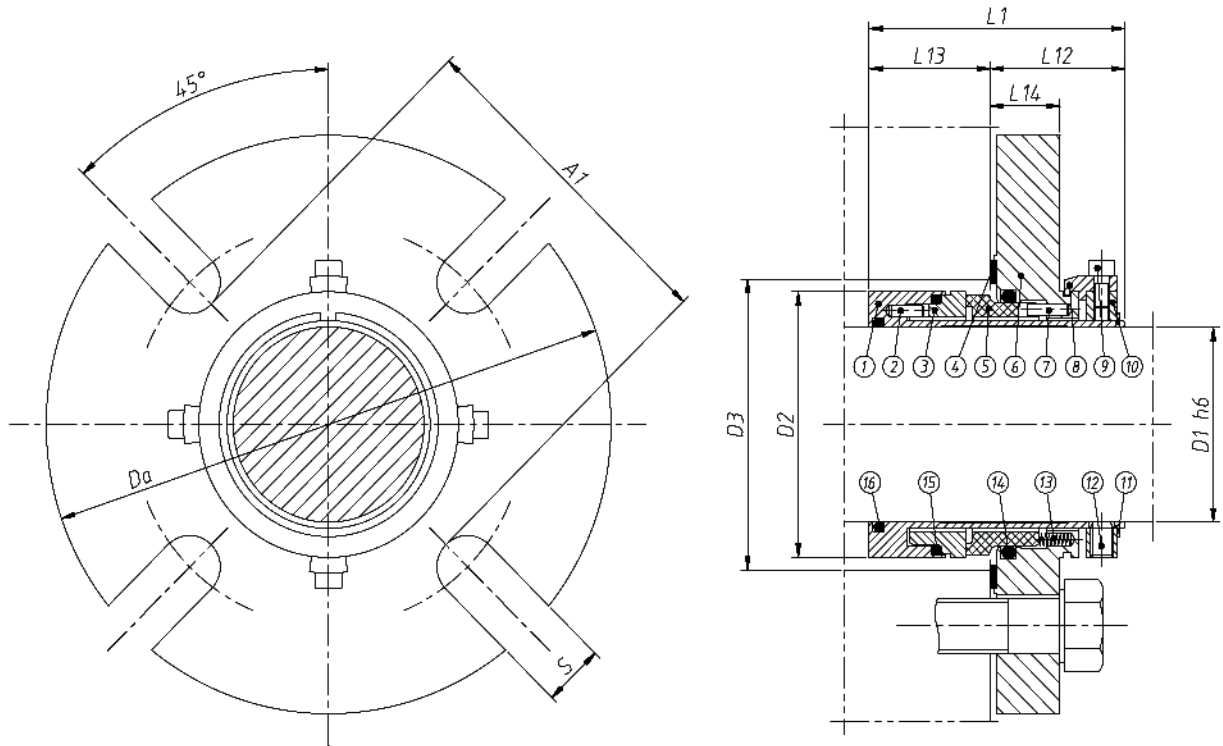
Rotary Face: SSiC, SiC, TC.

Stationary Face: SSiC, SiC, TC, Carbon.

O-Ring: Viton®, Aflas®, EPDM, Kalrez®

Spring: 316SS, Has C

All Metal Parts: 304SS, 316SS



D1	D2	D3		L1	L12	L13	L14	A1	Da	S
		min.	max.							
1.000	1.693	1.750	2.000	2.638	1.378	1.260	0.689	2.440	4.134	0.520
1.125	1.811	1.875	2.050	2.638	1.378	1.260	0.689	2.440	4.134	0.520
1.250	1.960	2.000	2.250	2.638	1.378	1.260	0.689	2.640	4.330	0.520
1.375	2.086	2.125	2.420	2.638	1.378	1.260	0.689	2.750	4.449	0.520
1.500	2.200	2.250	2.625	2.638	1.378	1.260	0.689	2.950	4.842	0.520
1.625	2.340	2.375	2.700	2.638	1.378	1.260	0.689	3.030	4.842	0.599
1.750	2.460	2.500	2.812	2.638	1.378	1.260	0.689	3.190	5.433	0.599
1.875	2.582	2.625	2.940	2.638	1.378	1.260	0.689	3.190	5.433	0.599
2.000	2.677	2.750	3.190	2.638	1.378	1.260	0.689	3.430	5.827	0.599
2.125	2.834	2.875	3.437	2.638	1.378	1.260	0.689	3.820	5.827	0.709
2.250	2.960	3.000	3.560	2.638	1.378	1.260	0.689	3.940	6.181	0.709
2.375	3.070	3.125	3.590	2.638	1.378	1.260	0.689	4.020	6.181	0.709
2.500	3.212	3.250	3.800	2.638	1.378	1.260	0.689	4.170	6.417	0.709
2.625	3.338	3.375	3.937	2.638	1.378	1.260	0.689	4.290	6.417	0.709
2.750	3.660	3.750	4.250	2.638	1.378	1.260	0.689	4.650	7.008	0.709
2.875	3.937	4.000	4.646	3.307	1.815	1.492	0.866	5.079	7.480	0.709
3.000	3.937	4.000	4.646	3.307	1.815	1.492	0.866	5.079	7.480	0.709
3.125	4.190	4.125	4.764	3.307	1.815	1.492	0.866	5.315	7.677	0.709
3.250	4.189	4.250	4.882	3.307	1.815	1.492	0.866	5.315	7.677	0.709
3.375	4.311	4.375	5.039	3.307	1.815	1.492	0.866	5.472	7.795	0.866
3.500	4.437	4.500	5.157	3.307	1.815	1.492	0.866	5.591	7.795	0.866
3.625	4.563	4.625	5.315	3.307	1.815	1.492	0.866	5.709	8.071	0.866
3.750	4.689	4.750	5.433	3.307	1.815	1.492	0.866	5.827	8.189	0.866
4.000	4.937	5.000	5.669	3.307	1.815	1.492	0.866	6.063	8.583	0.866