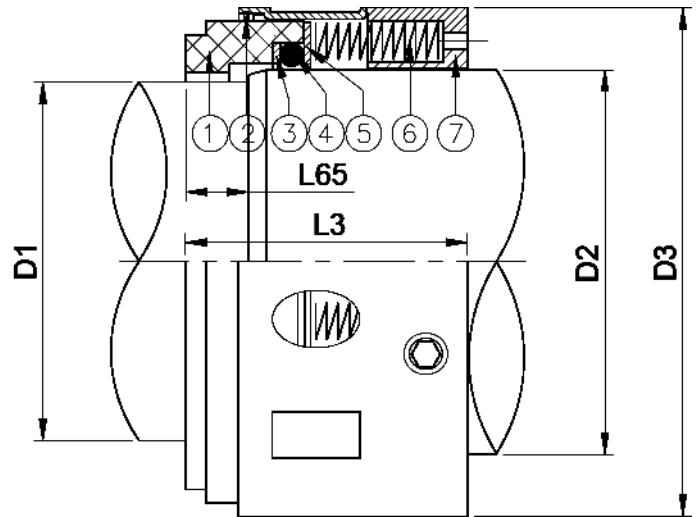


# TYPE NES-6B-1(Inch)

Equivalent to John Crane 8B1T



- 1 Rotary Face
- 2 Snap Ring
- 3 Gasket
- 4 O-Ring
- 5 Disc
- 6 Spring
- 7 Retainer

Features:	Size	D2	D1	D3	L3	L65
	Inch	mm	mm	mm	mm	mm
<p><b>Operating Conditions:</b></p> <p>Pressure: Up to 62kg/cm<sup>2</sup> (880 PSI)                      Temperature: -20°C ~200°C                      Speed: Up to 25m/s</p> <p><b>Material:</b></p> <p>Rotary Face: Carbon, SiC, SSiC, TC. Stationary Face: Ceramic, SiC, SSiC, TC. O-Ring: NBR, EPDM, Viton®.                      Spring: 304SS, 316SS.                      All Metal Parts: 304SS, 316SS.</p> <p>Chemrez® and Kalrez® are available on request.</p> <p>All trademarks are the property of their respective owners.</p> <p><b>Seat Compatibility:</b></p>	1.000	25.40	22.22	36.50	33.32	8.71
	1.125	28.58	25.40	39.67	34.93	8.71
	1.250	31.75	28.58	42.85	34.93	8.71
	1.375	34.93	28.58	49.20	42.85	8.71
	1.500	38.10	31.75	49.20	36.50	8.71
	1.625	41.28	34.93	57.15	40.46	11.10
	1.750	44.45	38.10	58.72	44.45	11.10
	1.875	47.63	41.28	63.50	44.45	11.10
	2.000	50.80	44.45	66.68	44.45	11.10
	2.125	53.98	47.63	71.42	52.37	12.70
	2.250	57.15	50.80	72.21	44.45	12.70
	2.375	60.33	53.98	76.20	52.37	12.70
	2.500	63.50	57.15	79.38	44.45	12.70
	2.625	66.68	60.33	82.55	52.37	12.70
	2.750	69.85	63.50	85.73	52.37	12.70
	2.875	73.03	66.68	88.90	52.37	12.70
3.000	76.20	69.85	92.08	52.37	12.70	
3.125	79.38	73.03	95.25	52.37	14.27	
3.250	82.55	76.20	98.43	52.37	14.27	
3.375	85.73	79.38	101.60	52.37	14.27	
3.500	88.90	82.55	104.78	52.37	14.27	
3.625	92.08	85.73	107.95	52.37	14.27	
3.750	95.25	88.90	111.13	52.37	14.27	
3.875	98.43	92.08	114.30	52.37	14.27	
4.000	101.60	95.25	117.48	52.37	14.27	

Standard: P

Alternatives: Z.