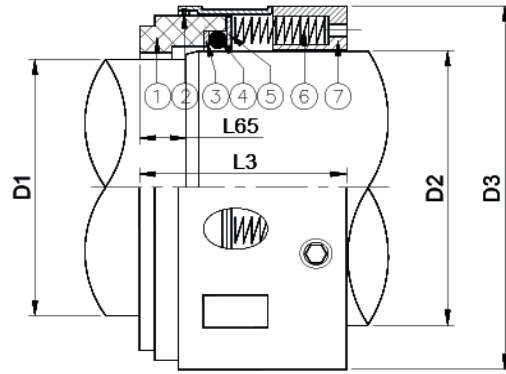


TYPE NES-6B (Inch) (Available in metric) Equivalent to John Crane 8B1



- 1 Rotary Face
- 2 Snap Ring
- 3 Gasket
- 4 O-Ring
- 5 Disc
- 6 Spring
- 7 Retainer

Features:

Multi-spring push seal with compact design permits use in almost all types of rotary equipment and can be shaft mounted or build into a cartridge seal.

Operating Conditions:

Pressure: Up to 62kg/cm² (880 PSI)
 Temperature: -20 °C ~200 °C
 Speed: Up to 25m/s

Material:

Rotary Face: Carbon, SiC, SSiC, TC.
 Stationary Face: Ceramic, SiC, SSiC, TC. O-Ring: NBR, EPDM, Viton®.
 Spring: 304SS, 316SS
 All Metal Parts: 304SS, 316SS.

Chemrez® and Kalrez® are available on request.

All trademarks are the property of their respective owners.

Seat Compatibility:

Standard: P
 Alternatives: Z, U, S, T, A6.

Size	D2	D1	D3	L3	L65
Inch	mm	mm	mm	mm	mm
1.000	25.40	22.22	39.67	33.32	8.71
1.125	28.58	25.40	42.85	34.93	8.71
1.250	31.75	28.58	47.63	34.93	8.71
1.375	34.93	28.58	50.80	36.50	8.71
1.500	38.10	31.75	53.98	36.50	8.71
1.625	41.28	34.93	60.33	44.45	11.10
1.750	44.45	38.10	63.50	44.45	11.10
1.875	47.63	41.28	66.68	44.45	11.10
2.000	50.80	44.45	69.85	44.45	11.10
2.125	53.98	47.63	76.20	52.37	12.70
2.250	57.15	50.80	79.38	52.37	12.70
2.375	60.33	53.98	82.55	52.37	12.70
2.500	63.50	57.15	85.73	52.37	12.70
2.625	66.68	60.33	88.90	52.37	12.70
2.750	69.85	63.50	92.08	52.37	12.70
2.875	73.03	66.68	95.25	52.37	12.70
3.000	76.20	69.85	96.82	52.37	12.70
3.125	79.38	73.03	100.00	52.37	14.27
3.250	82.55	76.20	104.78	52.37	14.27
3.375	85.73	79.38	107.95	52.37	14.27
3.500	88.90	82.55	111.13	52.37	14.27
3.625	92.08	85.73	114.30	52.37	14.27
3.750	95.25	88.90	117.48	52.37	14.27
3.875	98.43	92.08	120.65	52.37	14.27
4.000	101.60	95.25	123.83	52.37	14.27
4.125	104.78	98.43	127.00	52.37	14.27
4.250	107.95	101.60	133.35	52.37	14.27
4.375	111.13	104.78	136.53	52.37	14.27
4.500	114.30	107.95	139.70	52.37	14.27
4.625	117.48	111.13	142.88	52.37	14.27
4.750	120.65	114.30	146.05	52.37	14.27
5.000	127.00	120.65	152.40	52.37	14.27
5.125	130.18	123.83	155.58	52.37	14.27
5.250	133.35	127.00	165.10	60.33	15.88
5.375	136.53	130.18	168.28	60.33	15.88
5.500	139.70	133.35	171.45	60.33	15.88
5.625	142.88	136.53	174.63	60.33	15.88
5.750	146.05	139.70	177.80	60.33	15.88
5.875	149.23	142.88	180.98	60.33	15.88
6.000	152.40	146.05	184.15	60.33	15.88