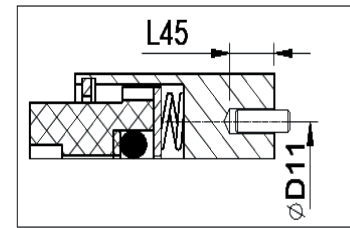
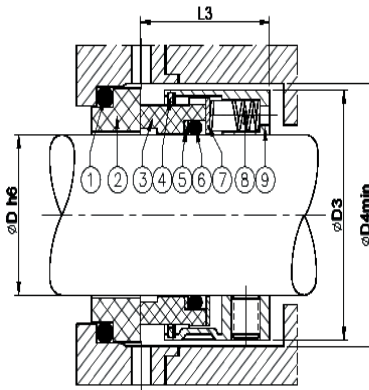


TYPE NES-6U (Inch) (Available in metric)

Equivalent to John Crane 8-1



- 1 O-Ring
- 2 Stationary Face
- 3 Rotary Face
- 4 Snap Ring
- 5 Gasket
- 6 O-Ring
- 7 Disc
- 8 Spring
- 9 Retainer

Features:

Multi-spring push seal with compact design permits use in almost all types of rotary equipment and can be shaft mounted or build into a cartridge seal. D11, D12 and L45 are the dimensions of Drive Pin.

Operating Conditions:

Pressure: Up to 17kg/cm² (240 PSI)
 Temperature: -20°C ~200°C
 Speed: Up to 25m/s

Material:

Rotary Face: Carbon, SiC, SSiC, TC.
 Stationary Face: Ceramic, SiC, SSiC, TC.
 O-Ring: NBR, EPDM, Viton®.
 Spring: 304SS, 316SS
 All Metal Parts: 304SS, 316SS.

Chemrez® and Kalrez® are available on request.
 All trademarks are the property of their respective owners.

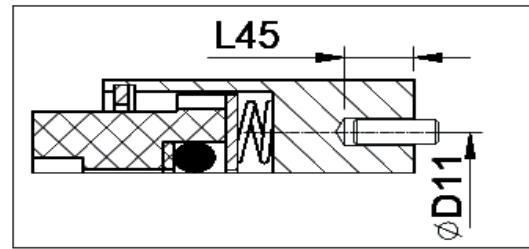
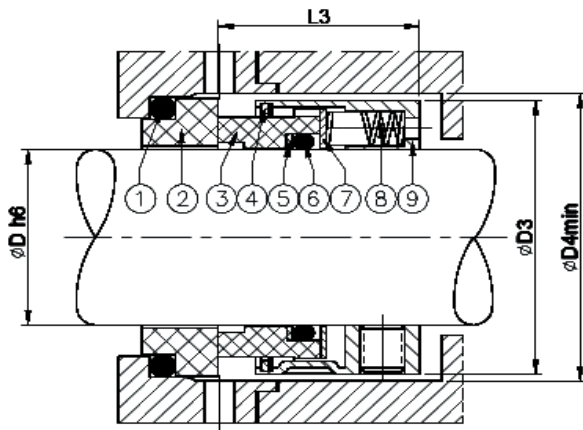
Seat Compatibility:

Standard: P.
 Alternatives: Z.

Size(D)		D3	D4	D11	D12	L3	L45	N
Inch	mm	mm	mm	mm	mm	mm	mm	mm
5.125	130.18	155.58	159.00	142.88	7.92	42.85	7.92	2
5.250	133.35	165.10	168.28	146.05	7.92	50.80	7.92	2
5.375	136.53	168.28	171.45	149.23	7.92	50.80	7.92	2
5.500	139.70	171.45	174.63	152.40	7.92	50.80	7.92	2
5.625	142.88	174.63	177.80	155.58	7.92	50.80	7.92	2
5.750	146.05	177.80	180.98	158.75	7.92	50.80	11.10	2
5.875	149.23	180.98	184.40	161.93	7.14	50.80	11.10	2
6.000	152.40	184.15	187.33	165.10	7.14	50.80	11.10	2

TYPE NES-6U (Inch) Cont.

Equivalent to John Crane 8-1



Size(D)		D3	D4	D11	D12	L3	L45	N
Inch	mm	mm	mm	mm	mm	mm	mm	mm
0.500	12.70	26.19	29.36	19.05	3.18	20.62	3.18	1
0.625	15.88	30.15	33.32	22.61	3.18	19.05	3.18	1
0.750	19.05	33.32	36.50	25.78	3.18	22.23	3.18	1
0.875	22.23	36.50	39.67	28.96	3.96	23.80	3.18	1
1.000	25.40	39.67	44.45	32.13	3.96	25.40	3.18	1
1.125	28.58	42.85	47.63	36.50	4.75	26.97	4.75	1
1.250	31.75	47.63	50.80	39.67	4.75	26.97	4.75	1
1.375	34.93	50.80	53.98	42.85	4.75	28.58	4.75	1
1.500	38.10	53.98	57.15	46.02	4.75	28.58	4.75	1
1.625	41.28	60.33	63.50	50.80	4.75	34.93	6.35	1
1.750	44.45	63.50	66.68	53.98	4.75	34.93	6.35	1
1.875	47.63	66.68	69.85	57.15	4.75	34.93	6.35	1
2.000	50.80	69.85	73.03	60.33	4.75	34.93	6.35	1
2.125	53.98	76.20	79.38	65.86	6.35	42.85	7.92	1
2.250	57.15	79.38	82.55	69.04	6.35	42.85	7.92	1
2.375	60.33	82.55	85.73	72.21	6.35	42.85	7.92	1
2.500	63.50	85.73	88.90	75.39	6.35	42.85	7.92	1
2.625	66.68	88.90	92.08	77.77	7.92	42.85	7.92	1
2.750	69.85	92.08	95.25	80.95	7.92	42.85	7.92	1
2.875	73.03	95.25	98.43	84.12	7.92	42.85	7.92	1
3.000	76.20	96.82	101.60	86.51	7.92	42.85	7.92	1
3.125	79.38	100.00	103.17	89.69	7.92	42.85	7.92	1
3.250	82.55	104.78	107.95	93.65	7.92	42.85	7.92	1
3.375	85.73	107.95	111.13	96.82	7.92	42.85	7.92	1
3.500	88.90	111.13	114.30	100.00	7.92	42.85	7.92	1
3.625	92.08	114.30	117.48	103.17	7.92	42.85	7.92	1
3.750	95.25	117.48	120.65	106.35	7.92	42.85	7.92	1
3.875	98.43	120.65	123.83	109.52	7.92	42.85	7.92	1
4.000	101.60	123.83	127.00	112.70	7.92	42.85	7.92	1
4.125	104.78	127.00	130.18	118.26	7.92	42.85	7.92	2
4.250	107.95	133.35	136.53	121.44	7.92	42.85	7.92	2
4.375	111.13	136.53	139.70	124.61	7.92	42.85	7.92	2
4.500	114.30	139.70	142.88	126.19	7.92	42.85	7.92	2
4.625	117.48	142.88	146.05	128.17	7.92	42.85	7.92	2
4.750	120.65	146.05	149.23	133.35	7.92	42.85	7.92	2
4.875	123.83	149.23	152.40	136.53	7.92	42.85	7.92	2
5.000	127.00	152.40	155.58	139.70	7.92	42.85	7.92	2