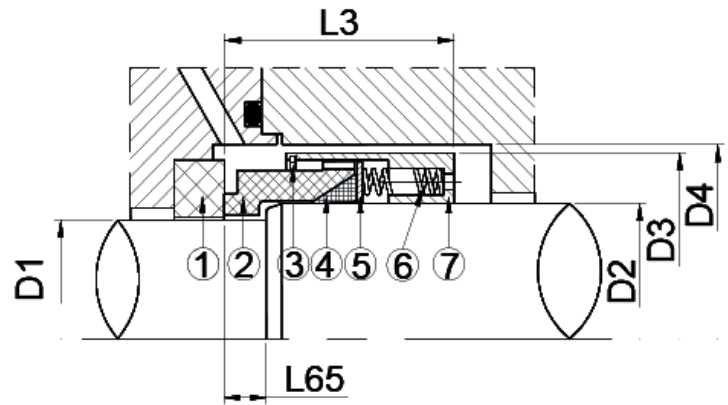


TYPE NES-7B-1 (Inch)

Equivalent to John Crane 9BT



- 1 Stationary Face
- 2 Rotary Face
- 3 Snap Ring
- 4 Wedge
- 5 Disc
- 6 Spring
- 7 Retainer

Features:

PTFE wedge seals with compact design permits use in almost all types of pumps. Seals can easily be repaired and/or converted to O-Ring seals.

Operating Conditions:

Pressure: Up to 62kg/cm² (880 PSI)
 Temperature: -20°C ~230°C
 Speed: Up to 25m/s

Material:

Face: Carbon, SiC, SSiC, TC.
 Seat: Ceramic, SiC, SSiC, TC.
 Spring: 304SS, 316SS
 All Metal Parts: 304SS, 316SS.

All trademarks are the property of their respective owners.

Seat Compatibility:

Standard: P
 Alternatives: Z.

Size (D2)		D1		D3	D4	L3	L65
Inch	mm	Inch	mm	mm	mm	mm	mm
1.000	25.4	0.875	22.2	36.5	41.3	33.3	8.71
1.125	28.6	1.000	25.4	39.7	44.5	34.9	8.71
1.250	31.8	1.125	28.6	42.9	47.6	34.9	8.71
1.375	34.9	1.125	28.6	49.2	54.0	42.9	8.71
1.500	38.1	1.250	31.8	49.2	54.0	36.5	8.71
1.625	41.3	1.375	34.9	57.2	61.9	40.5	11.10
1.750	44.5	1.500	38.1	58.7	63.5	44.5	11.10
1.875	47.6	1.625	41.3	63.5	68.3	44.5	11.10
2.000	50.8	1.750	44.5	66.7	71.4	44.5	11.10
2.125	54.0	1.875	47.6	71.4	76.2	52.4	12.70
2.250	57.2	2.000	50.8	72.2	77.0	44.5	12.70
2.375	60.3	2.125	54.0	76.2	81.0	52.4	12.70
2.500	63.5	2.250	57.2	79.4	84.1	44.5	12.70
2.625	66.7	2.375	60.3	82.6	87.3	52.4	12.70
2.750	69.9	2.500	63.5	85.7	90.5	52.4	12.70
2.875	73.0	2.625	66.7	88.9	93.7	52.4	12.70
3.000	76.2	2.750	69.9	92.1	96.8	52.4	12.70
3.125	79.4	2.875	73.0	95.3	100.0	52.4	14.27
3.250	82.6	3.000	76.2	98.4	103.2	52.4	14.27
3.375	85.7	3.125	79.4	101.6	106.4	52.4	14.27
3.500	88.9	3.250	82.6	104.8	109.5	52.4	14.27
3.625	92.1	3.375	85.7	108.0	112.7	52.4	14.27
3.750	95.3	3.500	88.9	111.1	115.9	52.4	14.27
3.875	98.4	3.625	92.1	114.3	119.1	52.4	14.27
4.000	101.6	3.750	95.3	117.5	122.2	52.4	14.27