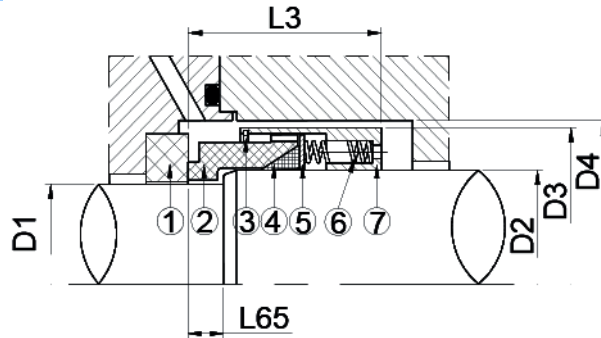


TYPE NES-7b (Inch) (Available in metric) Equivalent to John Crane 9B



- 1 Stationary Face
- 2 Rotary Face
- 3 Snap Ring
- 4 Wedge
- 5 Disc
- 6 Spring
- 7 Retainer

Features:

PTFE wedge seals with compact design permits use in almost all types of pumps. Seals can easily be repaired and/or converted to O-Ring seals.

Operating Conditions:

Pressure: Up to 62kg/cm² (880 PSI)
 Temperature: -20°C ~230°C
 Speed: Up to 25m/s

Material:

Rotary Face: Carbon, SiC, SSiC, TC.
 Stationary Face: Ceramic, SiC, SSiC, TC.
 All Metal Parts: 304SS, 316SS.

Seat Compatibility:

Standard: P
 Alternatives: Z.

Size (D2)		D1		D3		L65		L3	
Inch	mm	Inch	mm	Inch	mm	Inch	mm	Inch	mm
1.000	25.4	0.875	22.2	1.562	39.7	0.343	8.7	1.312	33.3
1.125	28.6	1.000	25.4	1.687	42.8	0.343	8.7	1.375	34.9
1.250	31.8	1.125	28.6	1.875	47.6	0.343	8.7	1.375	34.9
1.375	34.9	1.125	28.6	2.000	50.8	0.343	8.7	1.437	36.5
1.500	38.1	1.250	31.8	2.125	54	0.343	8.7	1.437	36.5
1.625	41.3	1.375	34.9	2.375	60.3	0.437	11.1	1.750	44.5
1.750	44.5	1.500	38.1	2.500	63.5	0.437	11.1	1.750	44.5
1.875	47.6	1.625	41.3	2.625	66.7	0.437	11.1	1.750	44.5
2.000	50.8	1.750	44.5	2.750	69.9	0.437	11.1	1.750	44.5
2.125	54.0	1.875	47.6	3.000	76.2	0.500	12.7	2.062	52.4
2.250	57.2	2.000	50.8	3.125	79.4	0.500	12.7	2.062	52.4
2.375	60.3	2.125	54.0	3.250	82.6	0.500	12.7	2.062	52.4
2.500	63.5	2.250	57.2	3.375	85.7	0.500	12.7	2.062	52.4
2.625	66.7	2.375	60.3	3.500	88.9	0.500	12.7	2.062	52.4
2.750	69.9	2.500	63.5	3.625	92.1	0.500	12.7	2.062	52.4
2.875	73.0	2.625	66.7	3.750	95.3	0.500	12.7	2.062	52.4
3.000	76.2	2.750	69.9	3.812	96.8	0.500	12.7	2.062	52.4
3.125	79.4	2.875	73.0	3.937	100	0.562	14.3	2.062	52.4
3.250	82.6	3.000	76.2	4.125	104.8	0.562	14.3	2.062	52.4
3.375	85.7	3.125	79.4	4.250	108	0.562	14.3	2.062	52.4
3.500	88.9	3.250	82.6	4.375	111.1	0.562	14.3	2.062	52.4
3.625	92.1	3.375	85.7	4.500	114.3	0.562	14.3	2.062	52.4
3.750	95.3	3.500	88.9	4.625	117.5	0.562	14.3	2.062	52.4
3.875	98.4	3.625	92.1	4.750	120.7	0.562	14.3	2.062	52.4
4.000	101.6	3.750	95.3	4.875	123.8	0.562	14.3	2.062	52.4
4.125	104.8	3.875	98.4	5.000	127	0.562	14.3	2.062	52.4
4.250	108.0	4.000	101.6	5.250	133.4	0.562	14.3	2.062	52.4
4.375	111.1	4.125	104.8	5.375	136.5	0.562	14.3	2.062	52.4
4.500	114.3	4.250	108.0	5.500	139.7	0.562	14.3	2.062	52.4
4.625	117.5	4.375	111.1	5.625	142.9	0.562	14.3	2.062	52.4
4.750	120.7	4.500	114.3	5.750	146.1	0.562	14.3	2.062	52.4
4.875	123.8	4.625	117.5	5.875	149.2	0.562	14.3	2.062	52.4
5.000	127.0	4.750	120.7	6.000	152.4	0.562	14.3	2.062	52.4
5.125	130.2	4.875	123.8	6.125	155.6	0.562	14.3	2.062	52.4
5.250	133.4	5.000	127.0	6.500	165.1	0.625	15.9	2.375	60.3
5.375	136.5	5.125	130.2	6.625	168.3	0.625	15.9	2.375	60.3
5.500	139.7	5.250	133.4	6.750	171.5	0.625	15.9	2.375	60.3
5.625	142.9	5.375	136.5	6.875	174.6	0.625	15.9	2.375	60.3
5.750	146.1	5.500	139.7	7.000	177.8	0.625	15.9	2.375	60.3
5.875	149.2	5.625	142.9	7.125	181	0.625	15.9	2.375	60.3
6.000	152.4	5.750	146.1	7.250	184.2	0.625	15.9	2.375	60.3