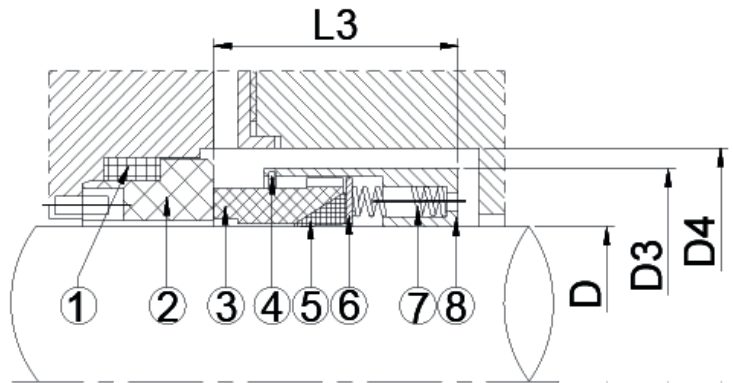


# TYPE NES-7u-1 (Inch)

Equivalent to John Crane 109



- 1 Wedge
- 2 Stationary Face
- 3 Rotary Face
- 4 Snap Ring
- 5 Wedge
- 6 Disc
- 7 Spring
- 8 Retainer

### Features:

PTFE wedge seals with compact design permits use in almost all types of pumps. Seals can be easily repaired and/or converted to O-Ring seals.

### Operating Conditions:

Pressure: Up to 17kg/cm<sup>2</sup> (240 PSI)  
 Temperature: -20°C ~230°C  
 Speed: Up to 25m/s

### Material:

Rotary Face: Carbon, SiC, SSiC, TC.  
 Stationary Face: Ceramic, SiC, SSiC, TC.  
 Spring: 304SS, 316SS.  
 Metal: 304SS, 316SS.

### Seat Compatibility:

Standard: P  
 Alternatives: Z, W, A4.

Size (D)	D3	D4	L3
0.500	26.7	29	20.6
0.625	30.7	34	19.0
0.750	34.0	37	22.2
0.875	37.2	40	23.8
1.000	40.3	43	25.4
1.125	43.5	46	27.0
1.250	48.3	51	27.0
1.375	51.5	54	28.6
1.500	54.6	58	28.6
1.625	61.0	64	35.0
1.750	64.2	67	35.0
1.875	67.3	70	35.0
2.000	70.5	73	35.0
2.125	76.9	80	43.0
2.250	80.0	83	43.0
2.375	83.2	86	43.0
2.500	86.4	89	43.0
2.625	89.6	92	43.0
2.750	92.7	96	43.0
2.875	95.9	99	43.0
3.000	97.5	100	43.0
3.125	100.7	104	43.0
3.250	105.4	108	43.0
3.375	108.6	111	43.0
3.500	111.8	115	43.0
3.625	115.0	118	43.0
3.750	118.1	121	43.0
3.875	121.3	124	43.0
4.000	124.5	127	43.0
4.125	127.7	131	43.0
4.250	130.8	134	43.0
4.375	134.0	137	43.0
4.500	137.2	140	43.0
4.625	149.9	153	51.0
4.750	153.1	156	51.0
4.875	156.2	159	51.0
5.000	159.4	165	51.0
5.125	162.6	168	51.0
5.250	165.8	172	51.0
5.375	168.9	175	51.0
5.500	172.1	178	51.0
5.625	175.3	181	51.0
5.750	178.5	184	51.0
5.875	181.6	187	51.0
6.000	184.8	191	51.0