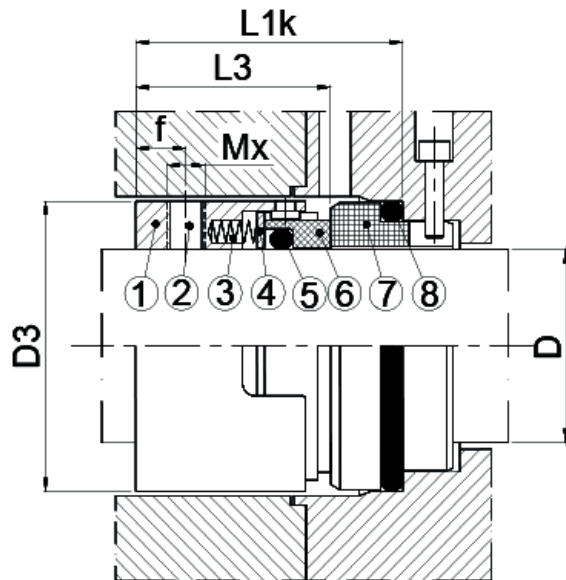


TYPE NES-9U

Equivalent to Burgmann M7N



- 1 Spring Holder
- 2 Spring
- 3 Drive Screw
- 4 Disc

- 5 O-ring
- 6 Rotary Face
- 7 Stationary Face
- 8 O-Ring

Features:

Wave Spring or multi springs are available on request.

Operating Conditions:

Pressure: Up to 16kg/cm² (227 PSI)

Temperature: -20°C ~ 200°C

Speed: Up to 20m/s

Material:

Rotary Face: SS, Carbon, SiC, SSiC, TC.

Stationary Face: Carbon, Ceramic, SiC, SSiC, TC.

O-Ring: NBR, EPDM, Viton®, FEP.

Spring: 304SS, 316SS

All Metal Parts: 304SS, 316SS.

Chemrez® and Kalrez® are available on request.

All trademarks are the property of their respective owners.

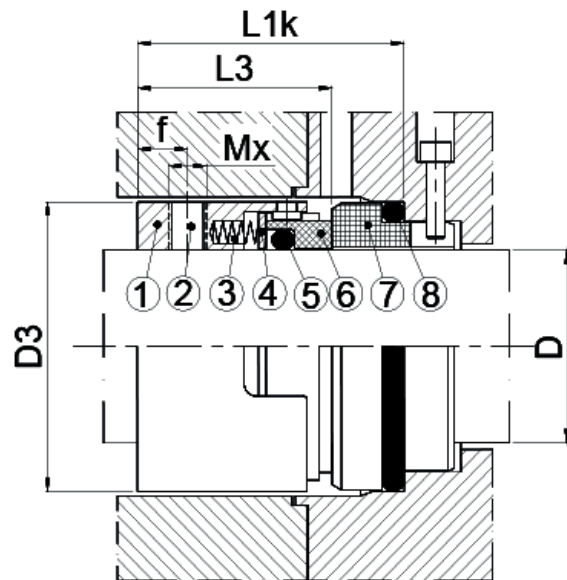
Seat Compatibility:

Standard: A.

Alternatives: B, H, I.

TYPE NES-9U Cont.

Equivalent to Burgmann M7N



D1	D3	L1k	L3	f	Mx
14	25	35.0	25.0	6	M5
16	27	35.0	25.0	6	M5
18	33	37.5	26.0	7	M5
20	35	37.5	26.0	7	M5
22	37	37.5	26.0	7	M5
24	39	40.0	28.5	8	M5
25	40	40.0	28.5	8	M5
28	43	42.5	31.0	8	M6
30	45	42.5	31.0	8	M6
32	47	42.5	31.0	8	M6
33	48	42.5	31.0	8	M6
35	50	42.5	31.0	8	M6
38	55	45.0	31.0	8	M6
40	57	45.0	31.0	8	M6
43	60	45.0	31.0	8	M6
45	62	45.0	31.0	8	M6
48	65	45.0	31.0	8	M6
50	67	47.5	32.5	8	M6
53	70	47.5	32.5	8	M6
55	72	47.5	32.5	8	M6
58	79	52.5	37.5	9	M8
60	81	52.5	37.5	9	M8
63	84	52.5	37.5	9	M8
65	86	52.5	37.5	9	M8
68	89	52.5	34.5	9	M8
70	91	60.0	42.0	9	M8
75	99	60.0	42.0	10	M8
80	104	60.0	41.8	10	M8
85	109	60.0	41.8	10	M8
90	114	65.0	46.8	10	M8
95	119	65.0	47.8	10	M8
100	124	65.0	47.8	10	M8

D1	D3	L1k	L3	f	Mx
105	138	67	47	10	M8
110	143	67	47	10	M8
115	148	67	47	10	M8
120	153	67	47	10	M8
125	158	67	47	10	M8
130	163	67	47	10	M8
135	168	67	47	10	M8
140	173	67	47	10	M8
145	178	67	47	10	M8
150	183	69	47	10	M8
155	191	80	56	12	M8
160	196	80	56	12	M8
165	201	80	56	12	M8
170	206	80	56	12	M8
175	211	80	56	12	M8
180	216	84	56	12	M8
185	221	84	56	12	M8
190	226	84	56	12	M8
195	231	84	56	12	M8
200	236	84	56	12	M8
205	245	90	60	14	M10
210	250	90	60	14	M10
215	255	90	60	14	M10
220	260	90	60	14	M10
225	265	90	60	14	M10
230	270	90	60	14	M10
235	275	90	60	14	M10
240	280	90	60	14	M10
245	285	90	60	14	M10
250	290	90	60	14	M10