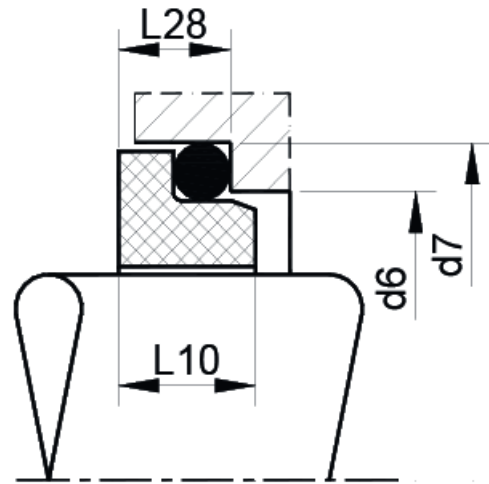
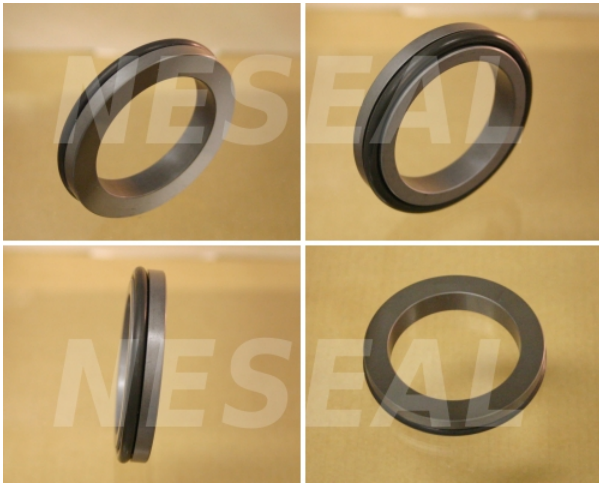


TYPE B

Equivalent to Burgmann G6



Shaft	d6	d7	L10	L28
10	17	21	7.5	6.6
12	19	23	7.5	6.6
14	21	25	7.5	6.6
16	23	27	7.5	6.6
18	27	33	8.5	7.5
20	29	35	8.5	7.5
22	31	37	8.5	7.5
24	33	39	8.5	7.5
25	34	40	8.5	7.5
28	37	43	8.5	7.5
30	39	45	8.5	7.5
32	42	48	8.5	7.5
33	42	48	8.5	7.5
35	44	50	8.5	7.5
38	49	56	10.0	9.0
40	51	58	10.0	9.0
43	54	61	10.0	9.0
45	56	63	10.0	9.0
48	59	66	10.0	9.0
50	62	70	10.5	9.5
53	65	73	12.0	11.0
55	67	75	12.0	11.0
58	70	78	12.0	11.0
60	72	80	12.0	11.0
65	77	85	12.0	11.0
68	81	90	12.5	11.3
70	83	92	12.5	11.3
75	88	97	12.5	11.3
80	95	105	13.0	12.0
85	100	110	15.0	14.0
90	105	115	15.0	14.0
95	110	120	15.0	14.0
100	115	125	15.0	14.0