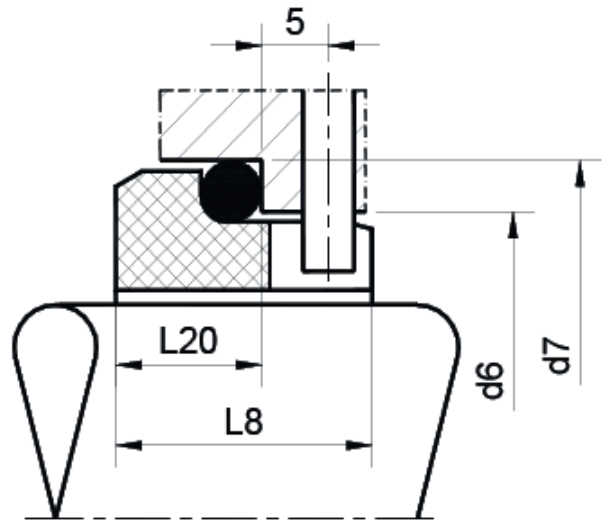


# TYPE C

Equivalent to Burgmann G16



Shaft	d6	d7	L8	L20
18	27	33	15.0	7.0
20	29	35	15.0	7.0
22	31	37	15.0	7.0
24	33	39	15.0	7.0
25	34	40	15.0	7.0
28	37	43	15.0	7.0
30	39	45	15.0	7.0
32	42	48	15.0	7.0
33	42	48	15.0	7.0
35	44	50	15.0	7.0
38	49	56	16.0	8.0
40	51	58	16.0	8.0
43	54	61	16.0	8.0
45	56	63	16.0	8.0
48	59	66	16.0	8.0
50	62	70	17.0	9.5
53	65	73	17.0	9.5
55	67	75	17.0	9.5
58	70	78	18.0	10.5
60	72	80	18.0	10.5
65	77	85	18.0	10.5
68	81	90	18.5	11.0
70	83	92	19.0	11.5
75	88	97	19.0	11.5
80	95	105	19.0	11.5
85	100	110	19.0	11.5
90	105	115	20.5	13.0
95	110	120	20.5	13.0
100	115	125	20.5	13.0