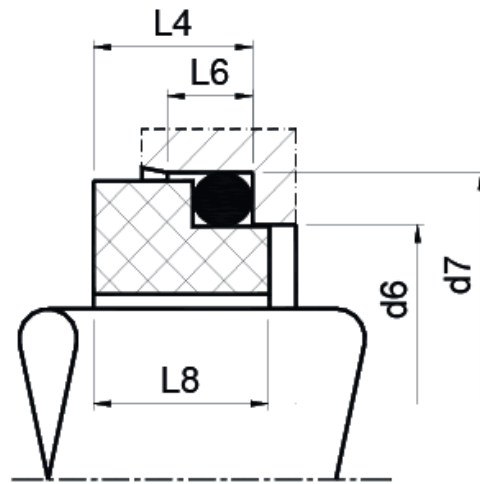


TYPE G

Equivalent to John Crane BO



Shaft	d6	d7	L4	L6	L8
14	21	25	12.0	4	12.8
16	23	27	12.0	4	12.8
18	27	33	13.5	5	14.5
20	29	35	13.5	5	14.5
22	31	37	13.5	5	14.5
24	33	39	13.3	5	14.3
25	34	40	13.0	5	14.0
28	37	43	12.5	5	13.5
30	39	45	12.0	5	13.0
32	42	48	12.0	5	13.0
33	42	48	12.0	5	13.0
35	44	50	12.0	5	13.0
38	49	56	13.0	6	14.0
40	51	58	13.0	6	14.0
43	54	61	13.0	6	14.0
45	56	63	13.0	6	14.0
48	59	66	13.0	6	14.0
50	62	70	13.5	6	14.5
53	65	73	13.5	6	14.5
55	67	75	13.5	6	14.5
58	70	78	13.5	6	14.2
60	72	80	13.5	6	14.2
65	77	85	13.5	6	14.2
68	81	90	13.5	7	14.2
70	83	92	14.5	7	15.2
75	88	97	14.5	7	15.2
80	95	105	15.0	7	15.7
85	100	110	15.0	7	15.7
90	105	115	15.0	7	15.7
95	110	120	15.0	7	15.7
100	115	125	15.0	7	15.7