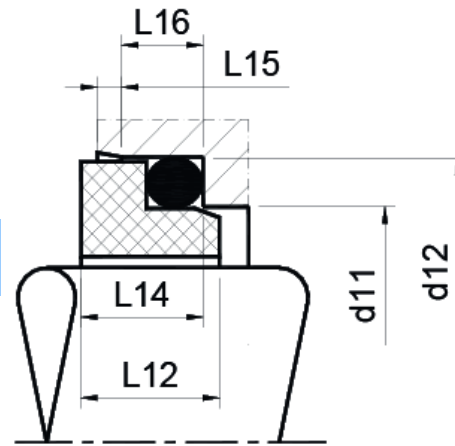


# TYPE I

Equivalent to Burgmann G4



| Shaft | d11   | d12   | L12  | L14  | L15 | L16 |
|-------|-------|-------|------|------|-----|-----|
| 10    | 15.5  | 19.2  | 7.5  | 6.6  | 1.2 | 3.8 |
| 12    | 17.5  | 21.6  | 6.5  | 5.6  | 1.2 | 3.8 |
| 14    | 20.5  | 24.6  | 6.5  | 5.6  | 1.2 | 3.8 |
| 15    | 20.5  | 24.6  | 7.5  | 6.6  | 1.2 | 3.8 |
| 16    | 22.0  | 28.0  | 8.5  | 7.5  | 1.5 | 5.0 |
| 18    | 24.0  | 30.0  | 9.0  | 8.0  | 1.5 | 5.0 |
| 20    | 29.5  | 35.0  | 8.5  | 7.5  | 1.5 | 5.0 |
| 22    | 29.5  | 35.0  | 8.5  | 7.5  | 1.5 | 5.0 |
| 24    | 32.0  | 38.0  | 8.5  | 7.5  | 1.5 | 5.0 |
| 25    | 32.0  | 38.0  | 8.5  | 7.5  | 1.5 | 5.0 |
| 28    | 36.0  | 42.0  | 10.0 | 9.0  | 1.5 | 5.0 |
| 30    | 39.2  | 45.0  | 11.5 | 10.5 | 1.5 | 5.0 |
| 32    | 42.2  | 48.0  | 11.5 | 10.5 | 1.5 | 5.0 |
| 33    | 44.2  | 50.0  | 12.0 | 10.5 | 1.5 | 5.0 |
| 35    | 46.2  | 52.0  | 12.0 | 11.0 | 1.5 | 5.0 |
| 38    | 49.2  | 55.0  | 11.3 | 10.3 | 1.5 | 5.0 |
| 40    | 52.2  | 58.0  | 11.8 | 10.8 | 1.5 | 5.0 |
| 42    | 53.3  | 62.0  | 13.2 | 12.0 | 2.0 | 6.0 |
| 43    | 53.3  | 62.0  | 13.2 | 12.0 | 2.0 | 6.0 |
| 45    | 55.3  | 64.0  | 12.8 | 11.6 | 2.0 | 6.0 |
| 48    | 59.7  | 68.4  | 12.8 | 11.6 | 2.0 | 6.0 |
| 50    | 60.8  | 69.3  | 12.8 | 11.6 | 2.0 | 6.0 |
| 53    | 63.8  | 72.3  | 13.5 | 12.3 | 2.0 | 6.0 |
| 55    | 66.5  | 75.4  | 14.5 | 13.3 | 2.0 | 6.0 |
| 58    | 69.5  | 78.4  | 14.5 | 13.3 | 2.0 | 6.0 |
| 60    | 71.5  | 80.4  | 14.5 | 13.3 | 2.0 | 6.0 |
| 63    | 74.5  | 83.4  | 14.2 | 13.3 | 2.0 | 6.0 |
| 65    | 76.5  | 85.4  | 14.2 | 13.0 | 2.0 | 6.0 |
| 68    | 82.7  | 91.5  | 14.9 | 13.7 | 2.0 | 6.0 |
| 70    | 83.0  | 92.0  | 14.2 | 13.0 | 2.0 | 6.0 |
| 75    | 90.2  | 99.0  | 15.2 | 14.0 | 2.0 | 6.0 |
| 80    | 95.2  | 104.0 | 16.2 | 15.0 | 2.0 | 6.0 |
| 85    | 100.2 | 109.0 | 16.0 | 14.8 | 2.0 | 6.0 |
| 90    | 105.2 | 114.0 | 16.0 | 14.8 | 2.0 | 6.0 |
| 95    | 111.6 | 120.3 | 17.0 | 15.8 | 2.0 | 6.0 |
| 100   | 114.5 | 123.3 | 17.0 | 15.8 | 2.0 | 6.0 |