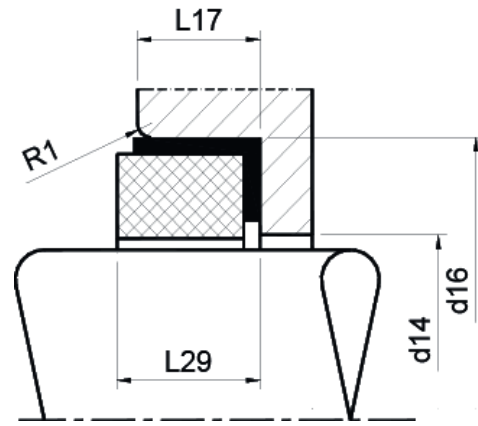


TYPE J

Equivalent to Burgmann G50



Shaft	d14	d16	L17	L29
10	11.0	24.60	7.5	9.0
12	13.5	27.80	7.5	9.0
14	17.0	30.95	9.0	10.5
15	17.0	30.95	9.0	10.5
16	17.0	30.95	9.0	10.5
18	20.0	34.15	9.0	10.5
19	20.0	34.15	9.0	10.5
20	21.5	35.70	9.0	10.5
22	23.0	37.30	9.0	10.5
24	26.5	40.50	9.0	10.5
25	26.5	40.50	9.0	10.5
28	29.5	47.65	10.5	12.0
30	32.5	50.80	10.5	12.0
32	32.5	50.80	10.5	12.0
33	36.5	54.00	10.5	12.0
35	36.5	54.00	10.5	12.0
38	39.5	57.15	10.5	12.0
40	42.5	60.35	10.5	12.0
42	46.0	63.50	10.5	12.0
43	46.0	63.50	10.5	12.0
45	46.0	63.50	10.5	12.0
48	49.0	66.70	10.5	12.0
50	52.0	69.85	12.0	13.5
53	55.5	73.05	12.0	13.5
55	58.5	76.20	12.0	13.5
58	61.5	79.40	12.0	13.5
60	61.5	79.40	12.0	13.5
63	65.0	82.50	12.0	13.5
65	68.0	92.10	14.5	16.0
68	71.0	95.25	14.5	16.0
70	71.0	95.25	14.5	16.0
75	77.5	101.60	14.5	16.0
80	84.0	114.30	18.5	20.0
85	87.0	117.50	18.5	20.0
90	93.5	123.85	18.5	20.0
95	96.5	127.00	18.5	20.0
100	103.0	133.35	18.5	20.0