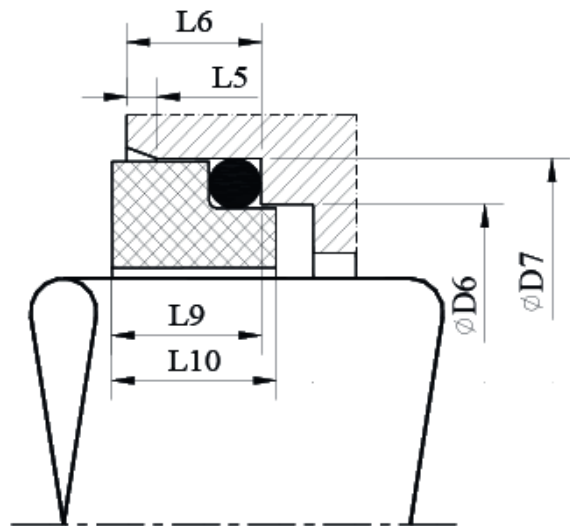


TYPE N

Equivalent to Vulcan DIN SHORT



Shaft	d6	d7	L5	L6	L9	L10
10	17	21	1.5	5.5	8.6	10.0
12	19	23	1.5	5.5	8.6	10.0
14	21	25	1.5	5.5	8.6	10.0
16	23	27	1.5	5.5	8.6	10.0
18	27	33	2.0	7.0	10.0	11.5
20	29	35	2.0	7.0	10.0	11.5
22	31	37	2.0	7.0	10.0	11.5
24	33	39	2.0	7.0	10.0	11.5
25	34	40	2.0	7.0	10.0	11.5
28	37	43	2.0	7.0	10.0	11.5
30	39	45	2.0	7.0	10.0	11.5
32	42	48	2.0	7.0	10.0	11.5
33	42	48	2.0	7.0	10.0	11.5
35	44	50	2.0	7.0	10.0	11.5
38	49	56	2.0	8.0	11.0	12.5
40	51	58	2.0	8.0	11.0	12.5
43	54	61	2.0	8.0	11.0	12.5
45	56	63	2.0	8.0	11.0	12.5
48	59	66	2.0	8.0	11.0	12.5
50	62	70	2.5	8.5	13.0	14.5
53	65	73	2.5	8.5	13.0	14.5
55	67	75	2.5	8.5	13.0	14.5
58	70	78	2.5	8.5	13.0	14.5
60	72	80	2.5	8.5	13.0	14.5
65	77	85	2.5	8.5	13.0	14.5
68	81	90	2.5	9.5	15.3	16.5
70	83	92	2.5	9.5	15.3	16.5
75	88	97	2.5	9.5	15.3	16.5
80	95	105	3.0	10.0	15.7	17.5
85	100	110	3.0	10.0	15.7	17.5
90	105	115	3.0	10.0	15.7	17.5
95	110	120	3.0	10.0	15.7	17.5
100	115	125	3.0	10.0	15.7	17.5