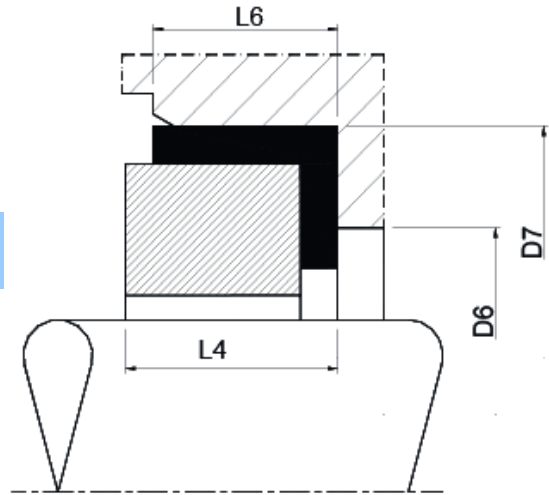


# TYPE R

Equivalent to John Crane M



Shaft	D	D6	D7	L4	L6
10	10	15	21	5.0	4
12	12	17	23	6.0	4
14	14	19	25	6.0	4
15	15	20	26	6.0	4
16	16	23	27	6.0	4
18	18	25	33	6.0	5
20	20	27	35	6.0	5
22	22	29	37	6.0	5
24	24	31	39	6.0	5
25	25	32	40	6.0	5
28	28	35	43	6.0	5
30	30	37	45	7.0	5
32	32	40	48	7.0	5
33	33	40	48	7.0	5
35	35	42	50	8.0	5
38	38	47	56	8.0	6
40	40	49	58	8.0	6
43	43	52	61	8.0	6
45	45	54	63	8.0	6
48	48	57	66	10.0	6
50	50	60	70	10.0	6
53	53	63	73	10.0	6
55	55	65	75	10.0	6
58	58	68	78	10.0	6
60	60	70	80	12.0	6
63	63	73	83	12.0	6
65	65	75	85	12.0	6
68	68	79	90	12.0	7
70	70	81	92	12.0	7
75	75	86	97	12.0	7
80	80	92	105	12.5	7
85	85	97	110	12.5	7
90	90	102	115	12.5	7
95	95	117	120	12.5	7
100	100	122	125	12.5	7