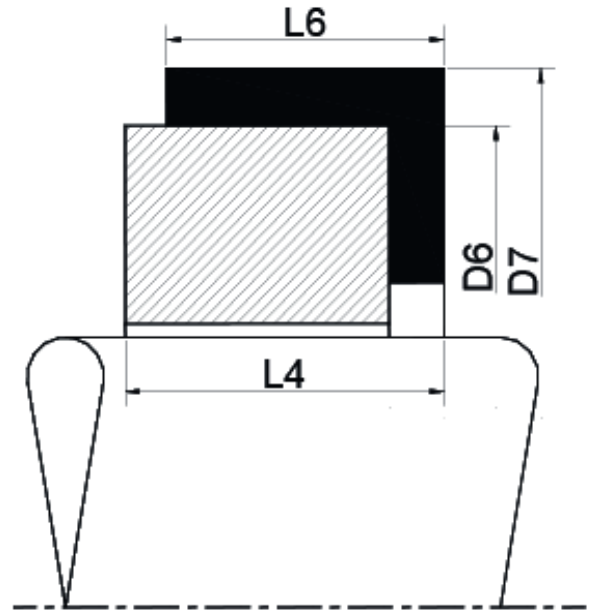


TYPE S

Equivalent to John Crane NG, Burgmann G55



Shaft	D	D6	D7	L4	L6
0.500	12.70	17.4	25.40	7.9	6.4
0.625	15.88	20.6	31.75	10.3	8.7
0.750	19.05	23.8	34.93	10.3	8.7
0.875	22.23	27.0	38.10	10.3	8.7
1.000	25.40	30.1	41.28	11.1	9.5
1.125	28.58	33.3	44.45	11.1	9.5
1.250	31.75	36.5	47.63	11.1	9.5
1.375	34.93	39.7	50.80	11.1	9.5
1.500	38.10	42.8	53.98	11.1	9.5
1.625	41.28	46.0	60.33	12.7	11.1
1.750	44.45	49.2	63.50	12.7	11.1
1.875	47.63	52.4	66.68	12.7	11.1
2.000	50.80	55.5	69.85	12.7	11.1
2.125	53.98	58.7	76.20	14.3	12.7
2.250	57.15	61.9	79.38	14.3	12.7
2.375	60.33	65.1	82.55	14.3	12.7
2.500	63.50	68.2	85.73	14.3	12.7
2.625	66.68	71.4	85.73	15.9	15.9
2.750	69.85	74.6	88.90	15.9	15.9
3.000	76.20	80.9	98.43	15.9	15.9
3.250	82.55	87.3	104.78	19.8	16.7
3.500	88.90	93.6	111.13	19.8	16.7
3.750	95.25	100.0	117.48	19.8	16.7
4.000	101.60	106.3	123.83	19.8	16.7